



Ruijie RG-CS85 Series Switches

Hardware Installation and Reference Guide

Copyright

Copyright © 2024 Ruijie Networks

All rights are reserved in this document and this statement.

Any reproduction, excerpt, backup, modification, transmission, translation or commercial use of this document or any portion of this document, in any form or by any means, without the prior written consent of Ruijie Networks is prohibited.

Trademark  and  are owned by Ruijie Networks.

All other trademarks or registered trademarks mentioned in this document are owned by their respective owners.

Disclaimer

The products, services, or features you purchase are subject to commercial contracts and terms. Some or all of the products, services or features described in this document may not be within the scope of your purchase or use. Unless otherwise agreed in the contract, Ruijie Networks does not make any express or implied statement or guarantee for the content of this document.

Due to product version upgrades or other reasons, the content of this document will be updated from time to time. Ruijie Networks reserves the right to modify the content of the document without any notice or prompt.

This manual is for reference only. Ruijie Networks endeavors to ensure content accuracy and will not shoulder any responsibility for losses and damages caused due to content omissions, inaccuracies or errors.

Preface

Intended Audience

This document is intended for:

- Network engineers
- Technical support and servicing engineers
- Network administrators

Technical Support

- Ruijie Networks Website: <https://www.ruijienetworks.com/>
- Technical Support Website: <https://ruijienetworks.com/support>
- Case Portal: <https://caseportal.ruijienetworks.com>
- Community: <https://community.ruijienetworks.com>
- Technical Support Email: service_rj@ruijienetworks.com
- Skype: [service_rj@ruijienetworks.com](https://www.skype.com/people/service_rj@ruijienetworks.com)

Conventions

1. Conversions

Convention	Description
Bold font	Commands, command options, and keywords are in bold font .
<i>Italic font</i>	Arguments for which you supply values are in <i>italic font</i> .
[]	Elements in square brackets are optional.
{ x y z }	Alternative keywords are grouped in braces and separated by vertical bars.
[x y z]	Optional alternative keywords are grouped in brackets and separated by vertical bars.
&<1-n>	The argument before the sign (&) can be input for consecutive 1- n times.
//	Double slashes at the beginning of a line of code indicate a comment line.

2. Signs

The signs used in this document are described as follows:

 **Warning**

An alert that calls attention to important rules and information that if not understood or followed can result in data loss or equipment damage.

 **Caution**

An alert that calls attention to essential information that if not understood or followed can result in function failure or performance degradation.

 **Note**

An alert that contains additional or supplementary information that if not understood or followed will not lead to serious consequences.

 **Specification**

An alert that contains a description of product or version support.

3. Note

The manual offers configuration information (including model, port type and command line interface) for indicative purpose only. In case of any discrepancy or inconsistency between the manual and the actual version, the actual version prevails.

1 Product Overview

Ruijie RG-CS85 series switches are the next-generation Layer 3 switches. Featured with high performance, reliable security, and multiple services, RG-CS85 series switches are mainly applicable to the convergence layer of large-scale networks to provide full line-rate exchanging. Complete QoS features differentiate services according to business needs to ensure the prompt transmission of key data. The RG-CS85 series switches provide various interfaces to meet the requirement for interfaces in network constructions.

RG-CS85 Series Switches

Model	10/100/1000 Base-T Ethernet Port	1000M SFP Port	10G SFP+ Port	MGMT Port	USB Port	Console Port	Fan	RPS
RG-CS85-24GT8XS-D	24	N/A	8	1	1	1	3 built-in fans	Dual
RG-CS85-48GT4XS-D	48	N/A	4	1	1	1	3 built-in fans	Dual
RG-CS85-24SFP/8GT8XS-D	8	24 (8 combo)	8	1	1	1	3 built-in fans	Dual
RG-CS85-48SFP4XS-D	N/A	48	4	1	1	1	3 hot swappable fans	Dual
RG-CS85-48GT4XS-HPD	48 (PoE+ capable)	N/A	4	1	1	1	2 hot swappable fans	Dual

- i** A combo port consists of one 1000Base-X SFP port and one 10/100/1000Base-T Ethernet port. That is, only one port of them is available at a particular time.
- i** SFP+ port supports both 10Gbase-R and 1000base-X.
- i** PoE+ ports are downward compatible with PoE.


RG-CS85 series switches have the following external ports:

- **MGMT port:** This port is a 10/100/1000M management port. It is used to connect with an Ethernet port of a PC to perform program. Users can do remote management and maintenance for the switch through the port. Use standard network cables when the port is connected with an Ethernet port.
- **USB port:** The Universal Serial Bus (USB) port is used to connect with USB memory to save logs, host versions, warnings and other diagnostic messages.
- **Console port:** This port applies RS-232 interface electrical level and standard RJ45 connectors. It is used to connect the serial ports of the terminal PC to perform tasks including system commissioning, configuration, maintenance, management, and software loading.

 In a domestic environment, this product may cause radio interference.


1.1 Package Contents

Item	Quantity
Switch	1
Mounting Bracket	2
Rubber Pad	4
Mounting Bracket Installation Guide	1
M4x8 Phillips Countersunk Screw, GB819-85	8
Grounding Cable	1
Management Software (Pre-installed)	1

 The package content list delivered with the product prevails over that in this manual. For more information, please access <https://www.ruijienetworks.com/support>.

1.2 RG-CS85-24GT8XS-D

Technical Specifications

Model	RG-CS85-24GT8XS-D
CPU	Dual-core with the clock speed of 1.2 GHz
BOOTROM	16 MB
Flash Memory	4 GB
SDRAM	1 GB
SFP Module Type	<p>SFP+ interface SFP module, SFP BIDI module SFP+ module, SFP+ cable, SFP+ BIDI module</p> <p>See <i>Appendix B</i>.</p> <p> The module types may update without prior notification. Please contact Ruijie Networks for details.</p>
Expansion Module Slot	<ul style="list-style-type: none"> ● 1 slot ● Supported module: CM85-4XS2CQ
Power Supply Module Slot	<ul style="list-style-type: none"> ● 2 slots ● Supported AC module: The switch supports RG-PA150I-F and RG-PA150IB-F . (RG-PA150I-F and RG-PA150IB-F can be used in combination.)

	<p>AC input:</p> <p>Rated voltage: 100 V AC to 240 V AC</p> <p>Maximum voltage: 90 V AC to 264 V AC</p> <p>Frequency: 50/60 Hz</p> <p>Rated current per input: 3 A (150 W power supply)</p> <p>HVDC input:</p> <p>Rated voltage: 240 V DC</p> <p>Maximum voltage: 192 V DC to 288 V DC</p> <p>Rated current per input: 3 A (150 W power supply)</p>
SFP Port	Supported 10GE SFP Port Downward Compatible
SFP+ Port	10GBase-R Capable 1000Base-X Capable
Power Consumption	< 60 W (without expansion module) < 85 W (with expansion module)
Temperature	Operating temperature: 0°C to 45°C (32°F to 113°F) (altitude from 0 m to 1800 m (1.12 miles)) The highest operating temperature decreases by 1°C (1.8°F) as the altitude ranging from 1800 m (1.12 miles) to 5000 m (3.11 miles) increases by every 220 m (721.78 ft.) . Storage temperature: -40°C to 70°C (-40°F to 158°F)
Humidity	Operating humidity: 10% to 90% RH (non-condensing) Storage humidity: 5% to 95% RH (non-condensing)
Operating Altitude	0 to 5000 m (0 to 3.11 miles)
Fan	Speed adjustment and fault alarm
Temperature Alarming	Supported
EMI Certification	GB/T 9254.1
Safety Regulation Compliance	GB 4943.1
Dimensions (W x D x H)	440 mm x 340 mm x 44 mm (17.32 in. x 13.39 in. x 1.73 in.)
Weight	4.4 kg (9.70 lbs.)



In a domestic environment, this product may cause radio interference.

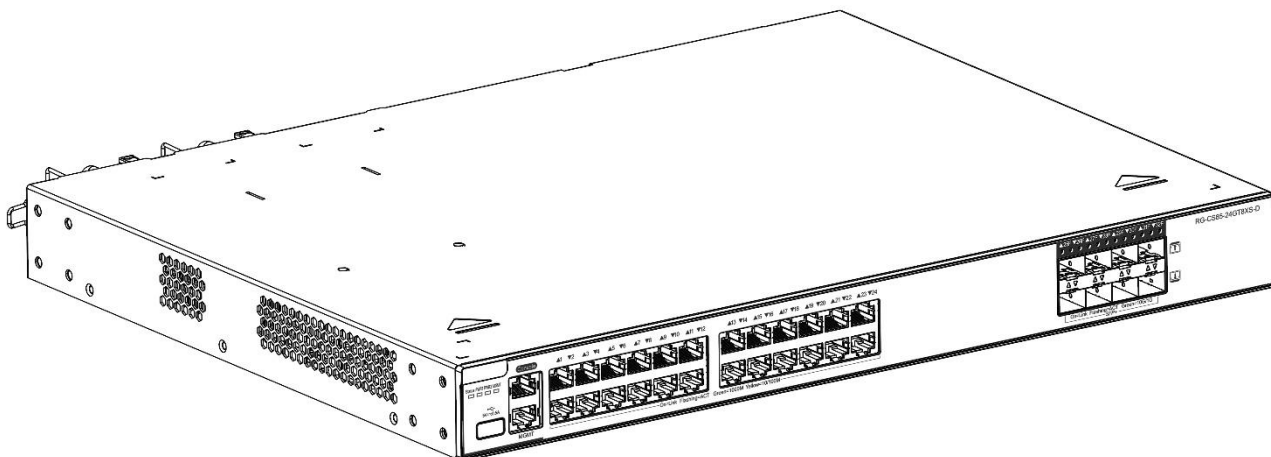


This device is not suitable for use in locations where children are likely to be present.

Product Appearance

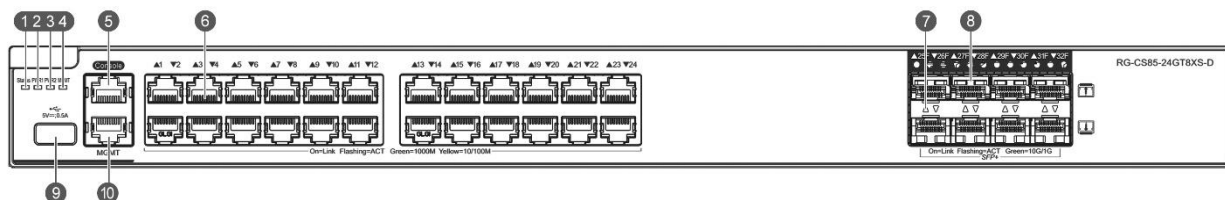
The RG-CS85-24GT8XS-D Ethernet switch provides 24 10/100/1000Base-T Ethernet ports, eight 10GE SFP+ ports, one MGMT port, one USB port, and one Console port on the front panel, two power supply module slots and one expansion slot on the back panel.

Figure 1-1 Appearance of RG-CS85-24GT8XS-D



Front Panel

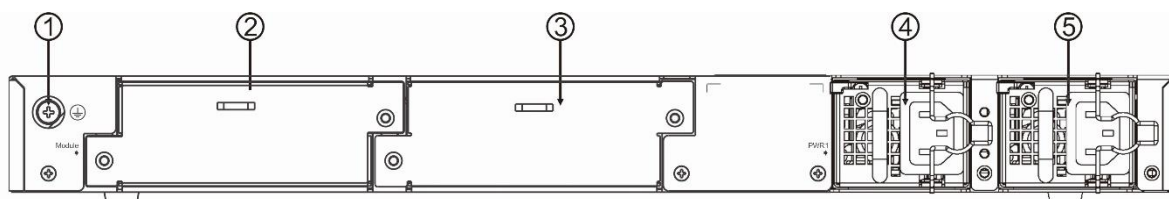
Figure 1-2 Front Panel of RG-CS85-24GT8XS-D



<p>Note:</p>	<ol style="list-style-type: none"> 1. System LED 2. Power Supply Status LED (PWR1) 3. Power Supply Status LED (PWR2) 4. MGMT Port Status LED 5. Console Port 6. 10/100/1000 Base-T Ethernet Port 	<ol style="list-style-type: none"> 7. Port Status LED 8. 10GE SFP+ Port 9. USB Port 10. MGMT Port
--------------	--	---

Rear Panel

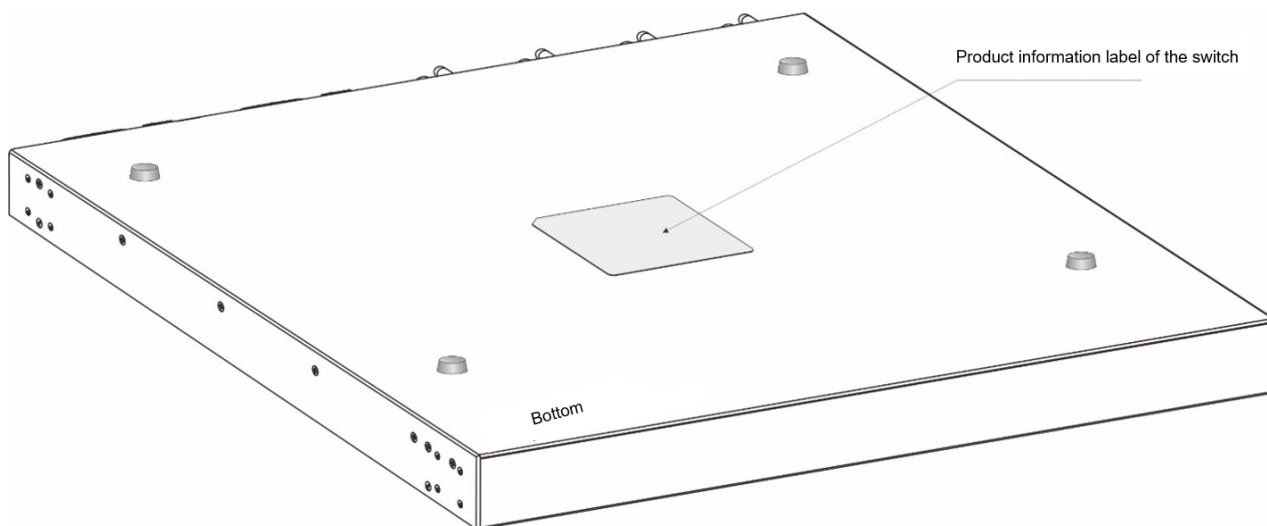
Figure 1-3 Rear Panel of RG-CS85-24GT8XS-D



<p>Note:</p>	<ol style="list-style-type: none"> 1. Grounding Lug 2. Filler Panel (Expansion Module) 3. Filler Panel (Non-expansion Module) 	<ol style="list-style-type: none"> 4. Power Module Slot 1 5. Power Module Slot 2
--------------	--	--

Product Information Label

Figure 1-4 Product Information Label of RG-CS85-24GT8XS-D



Note: The product information label is on the bottom of the switch.

Power Supply

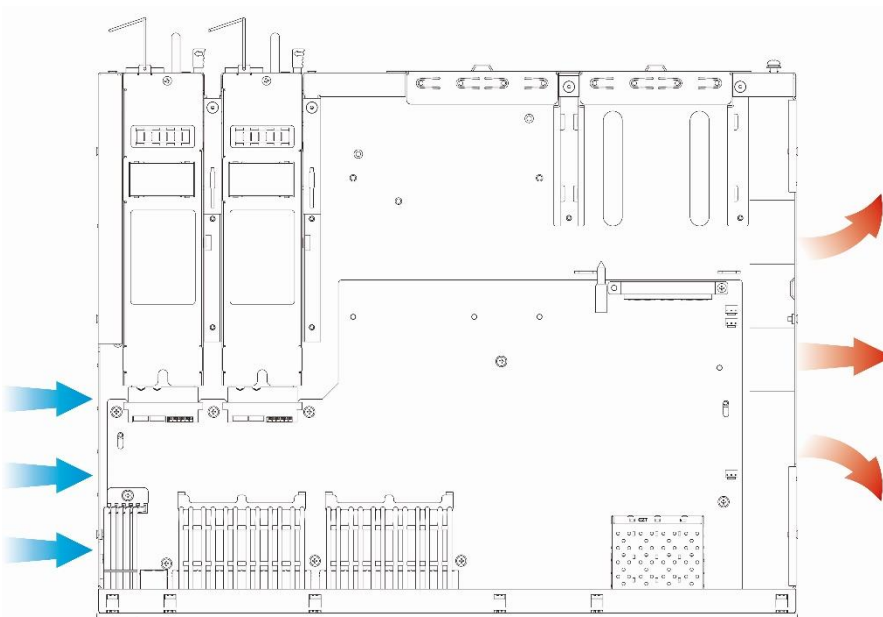
RG-CS85-24GT8XS-D supports 2 power supply modules.

Dual-power input: The switch can be powered by one power supply module, or two power supply modules. When both modules are working, the switch is working in power redundancy mode.

Heat Dissipation System

The switch uses left-to-right airflow for heat dissipation, thereby ensuring the normal function of the device in the specified environment. Maintain a minimum clearance of 100 mm (3.94 in.) around the chassis for air circulation.

Figure 1-4 Airflow Direction




LED

LED	Panel Identification	Status	Meaning
System status LED	Status	Off	The switch is not powered on.



LED	Panel Identification	Status	Meaning
		Blinking green (3 Hz)	Initialization is in progress. Continuous blinking indicates a fault.
		Blinking green (10 Hz)	It is used for on-site positioning of the device, and allows operation and maintenance personnel to perform remote power on and off control.
		Solid green	The switch is operational.
		Solid yellow	Temperature alarm: 1. The temperature of inlet/outlet vent exceeds the warning threshold. 2. The power is insufficient for the system. Check the working environment of the switch and power supplies immediately.
		Solid red	1. The temperature of the inlet/outlet vent exceeds the warning threshold. 2. The switch is faulty.
Power supply status LED	PWR1/PWR2	Off	The power supply module is not in place or not powered on.
		Solid green	The power supply module is operating normally.
		Solid yellow	The power model is identified but not recognized.
		Solid red	The redundant power is faulty or the AC power cord is not connected.
MGMT port status LED	MGMT	Off	The port is not connected.
		Solid green	The port is connected at 1000 Mbps.
		Blinking green	The port is receiving or transmitting data at 1000 Mbps.
		Solid yellow	The port is connected at 10/100 Mbps.
		Blinking yellow	The port is receiving or transmitting data at 10/100 Mbps.
10GE SFP+ port status LED	25F-32F	Off	The port is not connected.
		Solid green	The port is connected at 1/10 Gbps.
		Blinking green	The port is receiving or transmitting data at 1/10 Gbps.
10/100/1000Base-T Ethernet port status LED	1-24	Off	The port is not connected.
		Solid green	The port is connected at 1000 Mbps.
		Blinking green	The port is receiving or transmitting data at 1000 Mbps.
		Solid yellow	The port is connected at 10/100 Mbps.
		Blinking yellow	The port is receiving or transmitting data at 10/100 Mbps.

1.3 RG-CS85-48GT4XS-D

Technical Specifications

Model	RG-CS85-48GT4XS-D
CPU	Dual-core with the clock speed of 1.2 GHz
BOOTROM	16 MB
Flash Memory	4 GB
SDRAM	1 GB
SFP Module Type	<p>SFP+ interface SFP module, SFP BIDI module SFP+ module, SFP+ cable, SFP+ BIDI module</p> <p>See <i>Appendix B</i>.</p> <hr/> <p> The module types may update without prior notification. Please contact Ruijie Networks for details.</p>
Expansion Module Slot	<ul style="list-style-type: none"> ● 1 slot <p>Supported module: CM85-4XS2CQ</p>
Power Supply Module Slot	<ul style="list-style-type: none"> ● 2 slots ● Supported AC module: RG-PA150I-F and RG-PA150IB-F. (RG-PA150I-F and RG-PA150IB-F can be used in combination.) <p>AC input:</p> <p>Rated voltage: 100 V AC to 240 V AC</p> <p>Maximum voltage: 90 V AC to 264 V AC</p> <p>Frequency: 50/60 Hz</p> <p>Rated current per input: 3 A (150 W power supply)</p> <p>HVDC input:</p> <p>Rated voltage: 240 V DC</p> <p>Maximum voltage: 192 V DC to 288 V DC</p> <p>Rated current per input: 3 A (150 W power supply)</p>
SFP Port	Supported 10GE SFP Port Downward Compatible
SFP+ Port	10GBase-R Capable 1000Base-X Capable

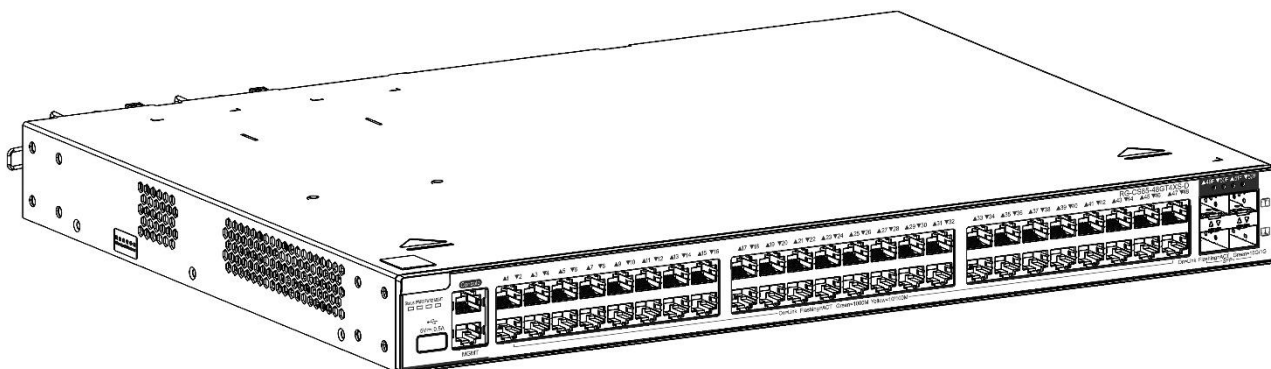
Power Consumption	< 70 W (without expansion module) < 95 W (with expansion module)
Temperature	Operating temperature: 0°C to 45°C (32°F to 113°F) (altitude from 0 m to 1800 m (1.12 miles)) The highest operating temperature decreases by 1°C (1.8°F) as the altitude ranging from 1800 m (1.12 miles) to 5000 m (3.11 miles) increases by every 220 m (721.78 ft.). Storage temperature: -40°C to 70°C (-40°F to 158°F)
Humidity	Operating humidity: 10% to 90% RH (non-condensing) Storage humidity: 5% to 95% RH (non-condensing)
Operating Altitude	0 to 5000 m (3.11 miles)
Fan	<ul style="list-style-type: none"> ● 3 fans Fan speed control Fan fault alarming
Temperature Alarming	Supported
EMI Certification	GB/T 9254.1
Safety Regulation Compliance	
Dimensions (W x D x H)	440 mm x 340 mm x 44 mm (17.32 in. x 13.39 in. x 1.73 in.)
Weight	4.5 kg (9.92 lbs.)

-  In a domestic environment, this product may cause radio interference.
-  This device is not suitable for use in locations where children are likely to be present.

Product Appearance

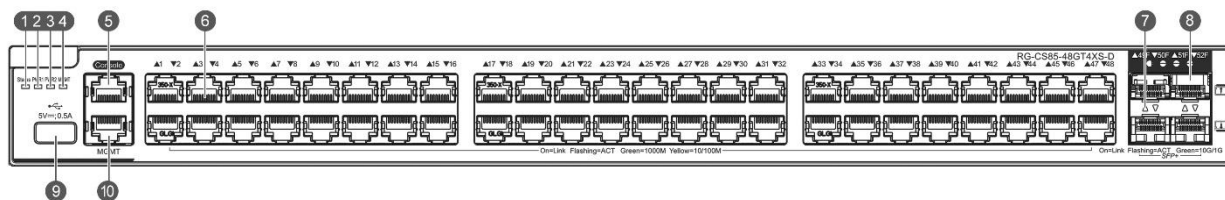
The RG-CS85-48GT4XS-D Ethernet switch provides 48 10/100/1000Base-T Ethernet ports, four 10GE SFP+ ports, one MGMT port, one USB port, and one Console port on the front panel, as well as two power supply module slots on the back panel.

Figure 1-5 Appearance of RG-CS85-48GT4XS-D



Front Panel

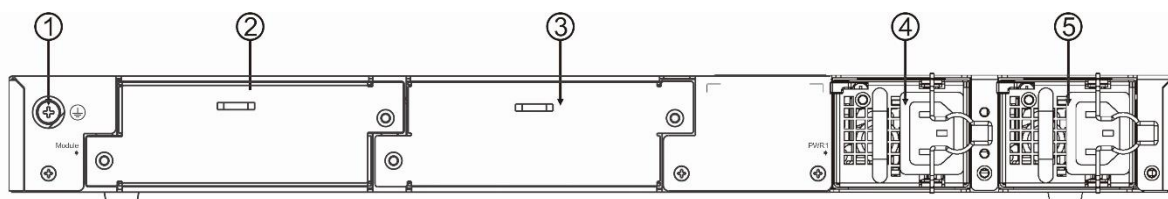
Figure 1-7 Front Panel of RG-CS85-48GT4XS-D



<p>Note:</p>	<ol style="list-style-type: none"> 1. System Status LED 2. Power Supply Status LED (PWR1) 3. Power Supply Status LED (PWR2) 4. MGMT Port Status LED 5. Console Port 6. 10/100/1000Base-T Ethernet Port 	<ol style="list-style-type: none"> 7. Port Status LED 8. 10GE SFP+ Port 9. USB Port 10. MGMT Port
--------------	--	---

Rear Panel

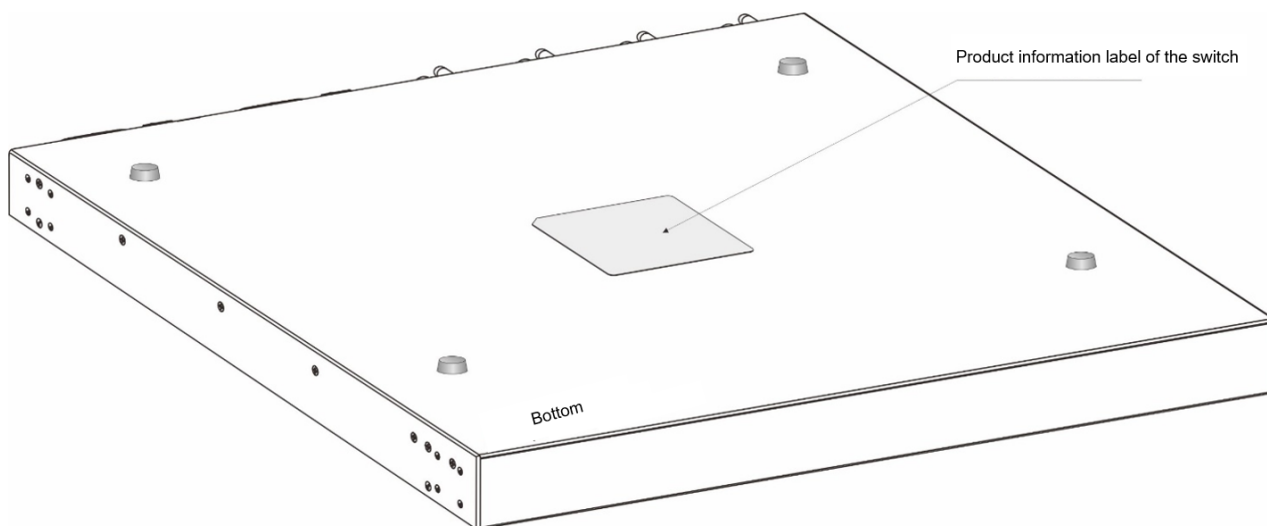
Figure 1-8 Rear Panel of RG-CS85-48GT4XS-D



<p>Note:</p>	<ol style="list-style-type: none"> 1. Grounding Lug 2. Filler Panel 3. Filler Panel (Non-expansion Module) 	<ol style="list-style-type: none"> 4. Power Supply Module Slot 1 5. Power Supply Module Slot 1
--------------	---	--

Product Information Label

Figure 1-9 Product Information Label of RG-CS85-48GT4XS-D



Note: The product information label is on the bottom of the switch.

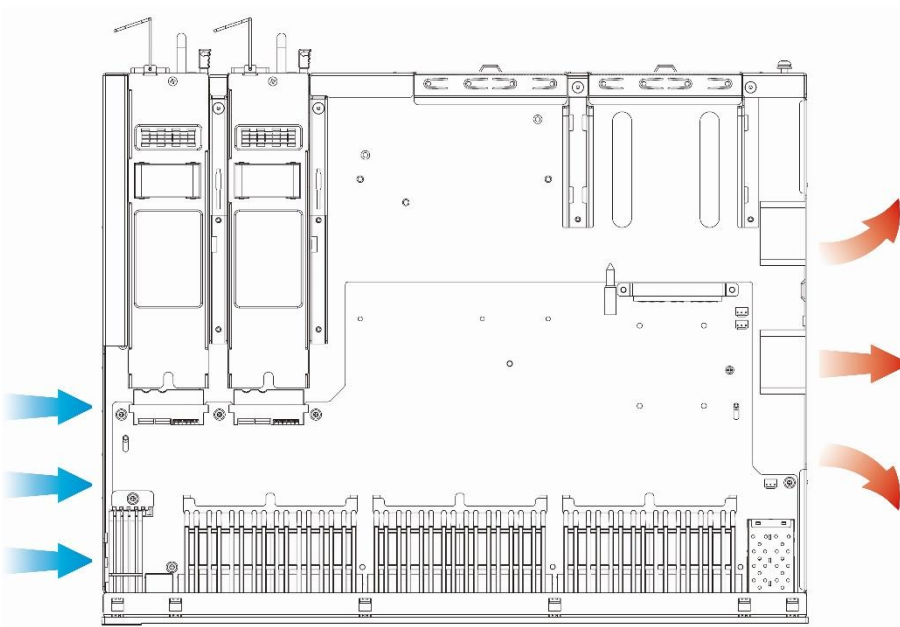
Power Supply

The RG-CS85-48GT4XS-D supports two power supply modules. Dual-power input: The switch can be powered by one power supply module, or two power supply modules. When both modules are working, the switch is working in power redundancy mode.

Heat Dissipation

RG-CS85-48GT4XS-D uses left-to-right airflow for heat dissipation, thereby ensuring the normal function of the device in the specified environment. Maintain a minimum clearance of 100 mm (3.94 in.) around the chassis for air circulation.

Figure 1-10 Airflow Direction




LED

LED	Panel Identification	Status	Meaning
System status LED	Status	Off	The switch is not powered on.

LED	Panel Identification	Status	Meaning
		Blinking green (3 Hz)	Initialization is in progress. Continuous blinking indicates a fault.
		Blinking green (10Hz)	It is used for on-site positioning of the device, and allows operation and maintenance personnel to perform remote power on and off control.
		Solid green	The switch is operational.
		Solid yellow	Temperature alarm: 1. The temperature of inlet/outlet vent exceeds the warning threshold. 2. The power is insufficient for the system. Check the working environment of the switch and power supplies immediately.
Power supply status LED	PWR1/PWR2	Off	The power supply module is not in place or not powered on.
		Solid green	The power supply module is operating normally.
		Solid red	The redundant power is faulty or the AC power cord is not connected.
MGMT port status LED	MGMT	Off	The port is not connected.
		Solid green	The port is connected at 1000 Mbps.
		Blinking green	The port is receiving or transmitting data at 1000 Mbps.
		Solid yellow	The port is connected at 10/100 Mbps.
		Blinking yellow	The port is receiving or transmitting data at 10/100 Mbps.
10GE SFP+ port status LED	49F-52F	Off	The port is not connected.
		Solid green	The port is connected at 1/10 Gbps.
		Blinking green	The port is receiving or transmitting data at 1/10 Gbps.
10/100/1000Base-T Ethernet port status LED	1-48	Off	The port is not connected.
		Solid green	The port is connected at 1000 Mbps.
		Blinking green	The port is receiving or transmitting data at 1000 Mbps.
		Solid yellow	The port is connected at 10/100 Mbps.
		Blinking yellow	The port is receiving or transmitting data at 10/100 Mbps.

1.4 RG-CS85-24SFP/8GT8XS-D

Technical Specifications

Model	RG-CS85-24SFP/8GT8XS-D
CPU	Dual-core with the clock speed of 1.2 GHz
BOOTROM	16 MB
Flash Memory	4 GB
SDRAM	1 GB
SFP Module Type	<p>SFP+ interface SFP module, SFP BIDI module SFP+ module, SFP+ cable, SFP+ BIDI module</p> <p>See <i>Appendix B</i>.</p> <hr/> <p> The module types may update without prior notification. Please contact Ruijie Networks for details.</p>
Expansion Module Slot	<ul style="list-style-type: none"> ● 1 slot <p>Supported module: CM85-4XS2CQ</p>
Power Supply Module Slot	<ul style="list-style-type: none"> ● 2 slots ● Supported AC module: RG-PA150I-F and RG-PA150IB-F . (RG-PA150I-F and RG-PA150IB-F can be used in combination.) <p>AC input:</p> <p>Rated voltage: 100 V AC to 240 V AC</p> <p>Maximum voltage: 90 V AC to 264 V AC</p> <p>Frequency: 50/60 Hz</p> <p>Rated current per input: 3 A (150 W power supply)</p> <p>HVDC input:</p> <p>Rated voltage: 240 V DC</p> <p>Maximum voltage: 192 V DC to 288 V DC</p> <p>Rated current per input: 3 A (150 W power supply)</p>
SFP Port	<p>100Base-X Capable</p> <p>1000Base-X Capable</p>
SFP+ Port	<p>10GBase-R Capable</p> <p>1000Base-X Capable</p>

Power Consumption	< 77 W (without expansion module) < 102 W (with expansion module)
Temperature	Operating temperature: 0°C to 45°C (32°F to 113°F) (altitude from 0 m to 1800 m (1.12 miles)) The highest operating temperature decreases by 1°C (1.8°F) as the altitude ranging from 1800 m (1.12 miles) to 5000 m (3.11 miles) increases by every 220 m (721.78 ft.). Storage temperature: -40°C to 70°C (-40°F to 158°F)
Humidity	Operating humidity: 10% to 90% RH (non-condensing) Storage humidity: 5% to 95% RH (non-condensing)
Operating Altitude	0 to 5000 m (3.11 miles)
Fan	<ul style="list-style-type: none"> ● 3 fans Fan speed control Fan fault alarming
Temperature Alarming	Supported
EMI Certification	GB/T 9254.1
Safety Regulation Compliance	GB 4943.1
Dimensions (W x D x H)	440 mm x 340 mm x 44 mm (17.32 in. x 13.39 in. x 1.73 in.)
Weight	4.3 kg (9.48 lbs.)

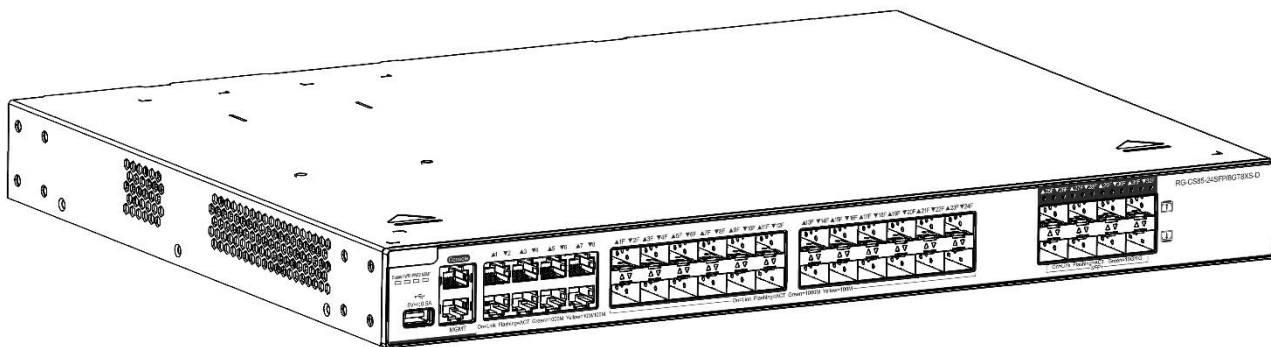
 In a domestic environment, this product may cause radio interference.

 This device is not suitable for use in locations where children are likely to be present.

Product Appearance

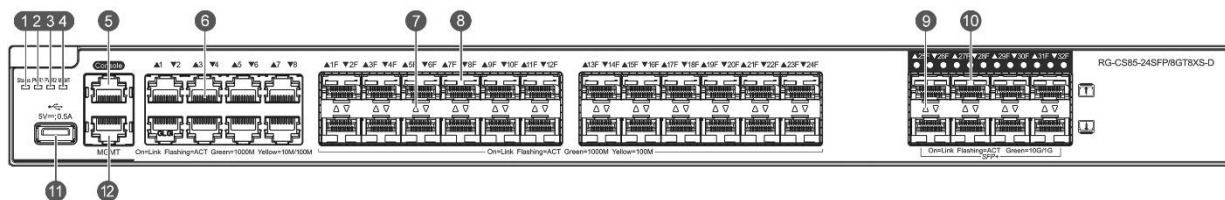
The RG-CS85-24SFP/8GT8XS-D Ethernet switch provides 24 GE SFP ports (port 17-24 do not support the rate of 100Mbps), eight 10/100/1000Base-T combo ports, eight 10GE SFP+ ports, one MGMT port, one USB port, and one Console port on the front panel, two power supply module slots and two expansion slot on the back panel.

Figure 1-11 Appearance of RG-CS85-24SFP/8GT8XS-D



Front Panel

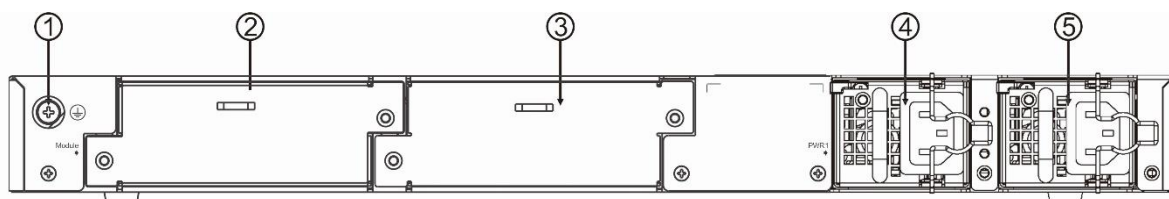
Figure 1-12 Front Panel of RG-CS85-24SFP/8GT8XS-D



Note:	1. System Status LED	7. GE SFP Port Status LED
	2. Power Supply Status LED (PWR1)	8. GE SFP Port
	3. Power Supply Status LED (PWR2)	9. 10GE SFP+ Port Status LED
	4. MGMT Port Status LED	10. 10GE SFP+ Port
	5. Console Port	11. USB Port
	6. 10/100/1000Base-T Ethernet Port	12. MGMT Port

Rear Panel

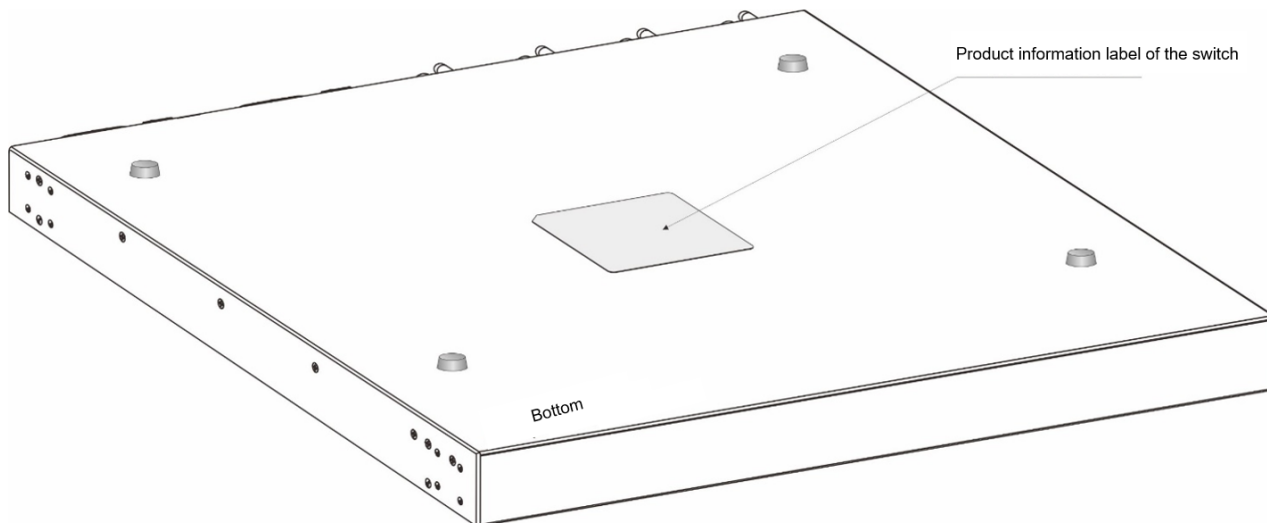
Figure 1-13 Rear Panel of RG-CS85-24SFP/8GT8XS-D



Note:	1. Grounding Lug	4. Power Supply Module Slot 1
	2. Filler Panel (Expansion module)	5. Power Supply Module Slot 2
	3. Filler Panel (Non-expansion module)	

Product Information Label

Figure 1-14 Product Information Label of RG-CS85-24SFP/8GT8XS-D



Note: The product information label is on the bottom of the switch.

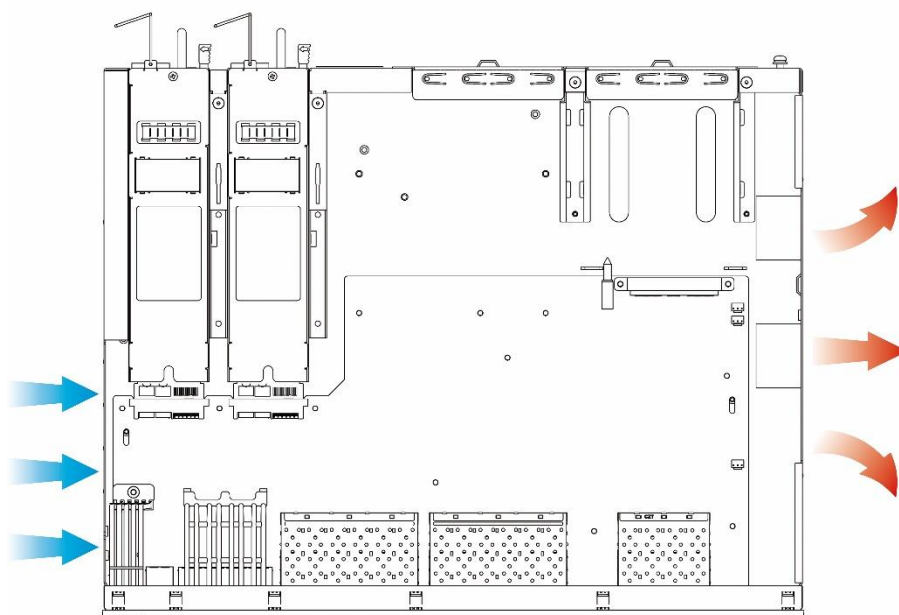
Power Supply

The RG-CS85-24SFP/8GT8XS-D supports two power supply modules. Dual-power input: The switch can be powered by one power supply module, or two power supply modules. When both two modules are working, the switch is working in power redundancy mode.

Heat Dissipation

The RG-CS85-24SFP/8GT8XS-D uses left-to-right airflow for heat dissipation, thereby ensuring the normal function of the device in the specified environment. Maintain a minimum clearance of 100 mm (3.94 in.) around the chassis for air circulation.

Figure 1-15 Airflow Direction




LED



LED	Panel Identification	Status	Meaning
System status LED	Status	Off	The switch is not powered on.
		Blinking green (3 Hz)	Initialization is in progress. Continuous blinking indicates a fault.
		Blinking green (10 Hz)	It is used for on-site positioning of the device, and allows operation and maintenance personnel to perform remote power on and off control.
		Solid green	The switch is operational.
		Solid yellow	Temperature alarm: 1. The temperature of inlet/outlet vent exceeds the warning threshold. 2. The power is insufficient for the system. Check the working environment of the switch and power supplies immediately.
Solid red	The switch is faulty. For details, see <i>Troubleshooting</i> .		
Power supply status LED	PWR1/PWR2	Off	The power supply module is not in place or not powered on.
		Solid green	The power supply module is in place and operational.
		Solid red	The redundant power is faulty or the AC power cord is not connected.
MGMT port status LED	MGMT	Off	The port is not connected.
		Solid green	The port is connected at 1000 Mbps.
		Blinking green	The port is receiving or transmitting data at 1000 Mbps.
		Solid yellow	The port is connected at 10/100 Mbps.
		Blinking yellow	The port is receiving or transmitting data at 10/100 Mbps.
GE SFP port status LED	1F-16F	Off	The port is not connected.
		Solid green	The port is connected at 1000 Mbps.
		Blinking green	The port is receiving or transmitting data at 1000 Mbps.
		Solid yellow	The port is connected at 100 Mbps.
		Blinking yellow	The port is receiving or transmitting data at 100 Mbps.
10GE SFP+ port status LED	25F-32F	Off	The port is not connected.
		Solid green	The port is connected at 1/10 Gbps.
		Blinking green	The port is receiving or transmitting data at 1/10 Gbps.
GE SFP port status LED	17F-24F	Off	The port is not connected.
		Solid green	The port is connected at 1000 Mbps.

LED	Panel Identification	Status	Meaning
		Blinking green	The port is receiving or transmitting data at 1000 Mbps.
10/100/1000Base-T Ethernet port status LED	1-8	Off	The port is not connected.
		Solid green	The port is connected at 1000 Mbps.
		Blinking green	The port is receiving or transmitting data at 1000 Mbps.
		Solid yellow	The port is connected at 10/100 Mbps.
		Blinking yellow	The port is receiving or transmitting data at 10/100 Mbps.



1.5 RG-CS85-48GT4XS-HPD

Technical Specifications

Model	RG-CS85-48GT4XS-HPD
CPU	Dual-core with the clock speed of 1.2 GHz
BOOTROM	16 MB
Flash Memory	4 GB
SDRAM	2 GB
SFP Module Type	<p>SFP+ interface SFP module, SFP BIDI module SFP+ module, SFP+ cable, SFP+ BIDI module</p> <p>See <i>Appendix B</i>.</p> <p> The module types may update without prior notification. Please contact Ruijie Networks for details.</p>
Power Supply Module Slot	<ul style="list-style-type: none"> ● 2 slots
Fan Module Slot	<ul style="list-style-type: none"> ● 2 slots
Expansion Module Slot	<ul style="list-style-type: none"> ● 1 slot <p>Supported module: CM85-4XS2CQ</p>
Power Supply Module	<ul style="list-style-type: none"> ● RG-PA600I-P-F <p>AC input: Rated voltage: 200 V AC to 240 V AC Maximum voltage: 176 V AC to 264 V AC Frequency: 50/60 Hz</p>

	<p>Rated current per input: 8 A</p> <ul style="list-style-type: none"> ● RG-PA1000I-P-F <p>AC input:</p> <p>Rated voltage: 200 V AC to 240 V AC</p> <p>Maximum voltage: 176 V AC to 264 V AC</p> <p>Frequency: 50/60 Hz</p> <p>Rated current per input: 8 A</p>
SFP+ Port	<p>10GBase-R Capable</p> <p>1000Base-X Capable</p>
RTC	Supported
PoE	<p>All RJ45 ports are PoE+ capable and each port provides up to 30 W of power. The maximum power depends on the configured power supply.</p> <hr/> <p> The PoE+ port is compliant with both the PoE (IEEE802.3af) and PoE+ (IEEE802.3at) standards.</p> <p> The maximum number of PoE devices supported by the switch is determined by the available PoE consumption of the switch and the actual PoE consumption of each device.</p> <hr/> <p>The PoE port is compliant with Alternative A.</p>
Power Consumption	<p>Without PoE Load: < 85 W (without expansion module)</p> <p>With PoE Full Load: < 1565 W (without expansion module)</p> <p>Without PoE Load: < 110 W (with expansion module)</p> <p>With PoE Full Load: < 1590 W (with expansion module)</p>
Operating Temperature	<p>0°C to 45°C (32°F to 113°F) at a height below 1800 m (1.12 miles) above the sea level.</p> <p>At a height ranging from 1800 m (1.12 miles) to 5000 m (3.11 miles) above the sea level, the maximum operating temperature decreases by 1°C (1.8°F) every time the altitude increases by 220 m (721.78 ft.).</p>
Storage Temperature	-40°C to 70°C (-40°F to 158°F)
Operating Humidity	10% to 90% RH (non-condensing)
Operating Altitude	0 to 5000 m (3.11 miles)
Storage Humidity	5% to 95% RH (non-condensing)
Fan	<p>Fan speed control</p> <p>Fan fault alarming</p>
Temperature Alarming	Supported

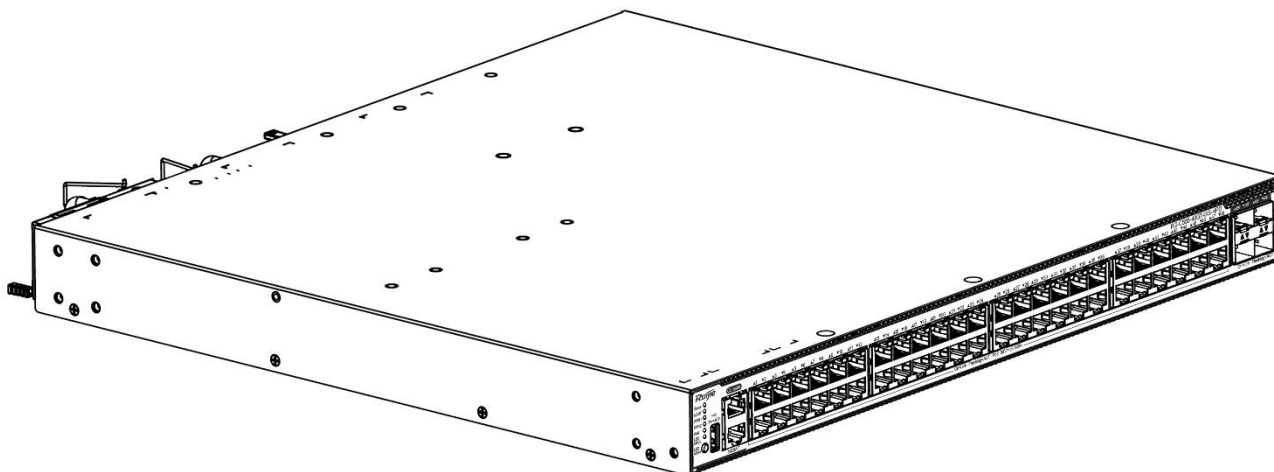
EMI Certification	GB/T 9254.1
Safety Regulation Compliance	GB 4943.1
Dimensions (W x D x H)	442 mm x 420 mm x 43.6 mm (17.40 in. x 16.54 in. x 1.72 in.)
Weight	5.7 kg (12.57 lbs.)

-  In a domestic environment, this product may cause radio interference.
-  This device is not suitable for use in locations where children are likely to be present.

Product Appearance

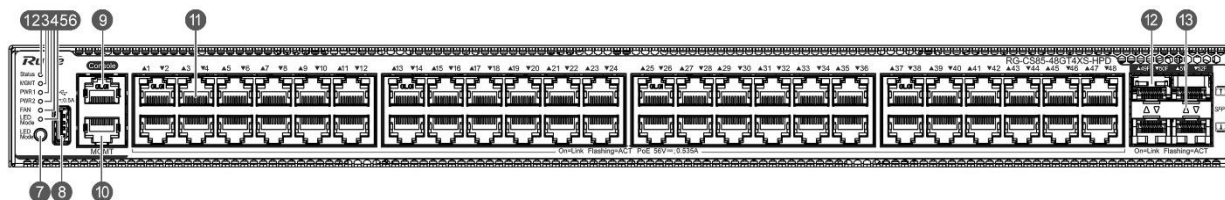
The RG-CS85-48GT4XS-HPD Ethernet switch provides 48 10/100/1000Base-T Ethernet ports (PoE+ capable), four 10GE SFP+ ports, one management port, one USB port and one Console port on the front panel, two fan module slots, two power supply module slots and one expansion module slot on the back panel.

Figure 1-16 Appearance of RG-CS85-48GT4XS-HPD



Front Panel

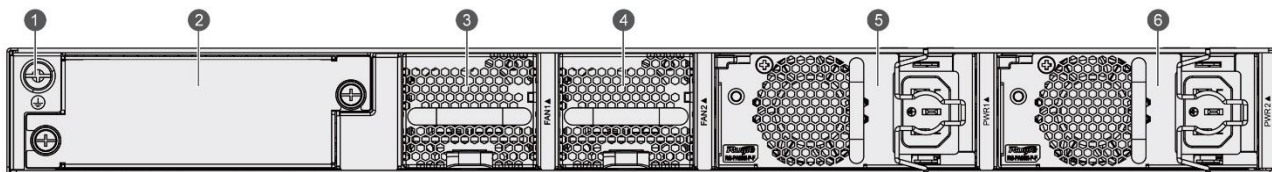
Figure 1-17 Front Panel of RG-CS85-48GT4XS-HPD



<p>Note:</p>	<ol style="list-style-type: none"> 1. System Status LED 2. MGMT Port Status LED 3. Power Supply Status LED (PWR1) 4. Power Supply Status LED (PWR2) 5. Fan Status LED 6. LED Mode Indicator 	<ol style="list-style-type: none"> 7. LED Mode Button 8. USB Port 9. Console Port 10. MGMT Port 11. 10/100/1000Base-T Ethernet Port 12. 10GE SFP+ Port 13. Port Status LED
--------------	---	---

Rear Panel

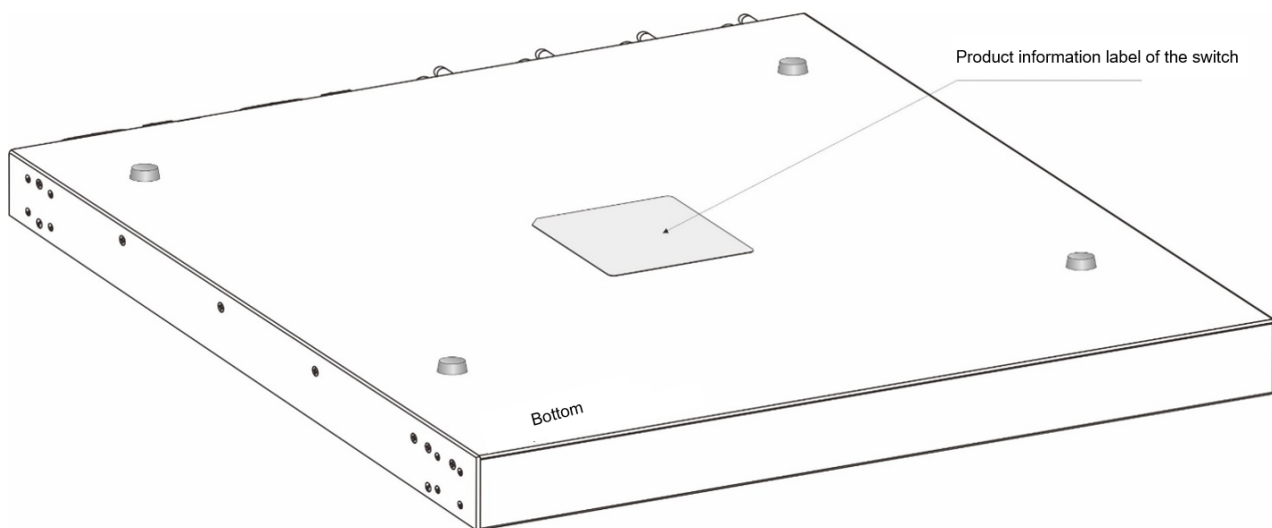
Figure 1-18 Rear Panel of RG-CS85-48GT4XS-HPD



Note:	1. Grounding Lug 2. Filler Panel 3. Fan Module 1 4. Fan Module 2	5. Power Supply Module Slot 1 (A filler panel is required if the slot is vacant.) 6. Power Supply Module Slot 2 (A filler panel is required if the slot is vacant.)
-------	---	--

Product Information Label

Figure 1-19 Product Information Label of RG-CS85-48GT4XS-HPD



Note: The product information label is on the bottom of the switch.

Power Supply

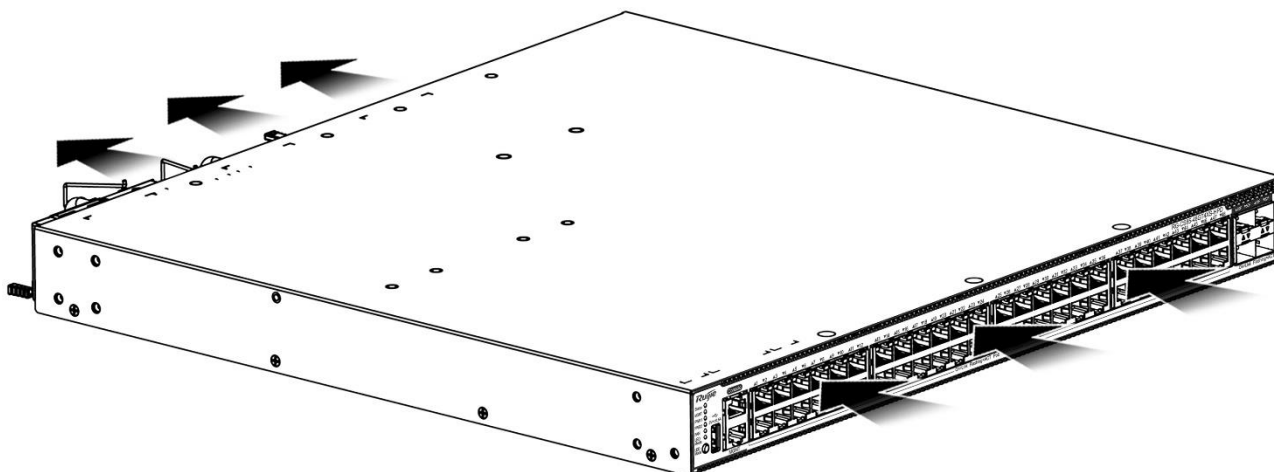
The RG-CS85-48GT4XS-HPD supports dual power supply modules. See Chapter 1.7 for details about the power supply modules.

The switch can be powered on by either one power supply module or dual power supply modules. If both power supply modules are used, the switch works in the power redundancy mode.

Heat Dissipation

The RG-CS85-48GT4XS-HPD adopts front-to-back airflow for heat dissipation, thereby ensuring the normal function of the device in the specified environment. Maintain a minimum clearance of 100 mm (3.94 in.) around the chassis for air circulation.

Figure 1-20 Airflow Direction



LED

LED	Panel Identification	Status	Meaning
System status LED	Status	Off	The switch is not powered on.
		Blinking green (3 Hz)	Initialization is in progress. Continuous blinking indicates a fault.
		Blinking green (10 Hz)	It is used for on-site positioning of the device, and allows operation and maintenance personnel to perform remote power on and off control.
		Solid green	The switch is operational.
		Solid yellow	The temperature at the air intake and exhaust vents exceeds the threshold.
		Solid red	1. The temperature at the air intake and exhaust vents well exceeds the threshold. 2. The device is not functioning properly.
Power supply status LED	PWR1/PWR2	Off	The power supply module is not in place.
		Solid green	The power supply module is in place and operational.
		Solid Yellow	The model of the power supply module is not supported or cannot be identified.
		Solid red	The redundant power supply module is not functioning properly or not connected with the AC power cord.
MGMT port status LED	MGMT	Off	No link is detected for this port.
		Solid green	The port has made a successful 1000 Mbps link.
		Blinking green	The port is sending and receiving traffic at 1000 Mbps.
		Solid yellow	The port has made a successful 10/100 Mbps link.
		Blinking yellow	The port is sending and receiving traffic at 10/100 Mbps.

LED	Panel Identification	Status	Meaning
Fan status LED	FAN	Solid green	The fan module is in place and functioning properly
		Solid red	1. A fan module is faulty. 2. The module type is not compatible with the system. 3. A fan module is not in place.
LED Mode Indicator	LED Mode	Solid green	Switching status
		Solid yellow	PoE status
10GE SFP+ port status LED	49F-52F	Off	No link is detected for this port.
		Solid green	The port has made a successful 1/10 Gbps link.
		Blinking green	The port is sending and receiving traffic at 1/10 Gbps.
10/100/1000Base-T Ethernet port status LED	1 to 48	Off	No link is detected for this port.
		Solid green	The port has made a successful 10/100/1000 Mbps link.
		Blinking green	The port is sending and receiving traffic at 10/100/1000 Mbps.
PoE status LED	1 to 48	Off	PoE is disabled.
		Solid green	PoE is enabled.
		Blinking green (3 Hz)	PoE overload occurs.

LED Mode Button


The LED Mode button is used to switch the LED mode. The green LED Mode indicator indicates the switching status. Press the **LED Mode** button, and the LED Mode indicator will turn yellow, indicating the PoE status. Press the **LED Mode** button again, the indicator switches to indicating the switching status.

If you want to switch the LED mode, press the button for over two seconds.

1.6 RG-CS85-48SFP4XS-D

Technical Specifications

Model	RG-CS85-48SFP4XS-D
CPU	Dual-core with the clock speed of 1.2 GHz
BOOTROM	16 MB
Flash Memory	4 GB
SDRAM	2 GB
SFP Module Type	SFP+ interface SFP module, SFP BIDI module SFP+ module, SFP+ cable, SFP+ BIDI module

	<p>See <i>Appendix B</i>.</p> <hr/> <p> The module types may update without prior notification. Please contact Ruijie Networks for details.</p> <hr/>
Power Supply Module Slot	<ul style="list-style-type: none"> ● 2 slots
Fan Module Slot	<ul style="list-style-type: none"> ● 3 slots
Expansion Module Slot	<ul style="list-style-type: none"> ● 1 slot <p>Supported module: CM85-4XS2CQ</p>
Power Supply Module	<ul style="list-style-type: none"> ● RG-PA150IB-F AC input: Rated voltage: 100 V AC to 240 V AC Maximum voltage: 90 V AC to 264 V AC Frequency: 50/60 Hz Rated current per input: 3 A ● RG-PA150I-F AC input: Rated voltage: 100 V AC to 240 V AC Maximum voltage: 90 V AC to 264 V AC Frequency: 50/60 Hz Rated current per input: 3 A
SFP Port	<p>1000Base-X Capable 100Base-X Capable</p>
SFP+ Port	<p>10GBase-R Capable 1000Base-X Capable</p>
RTC	<p>Supported</p>
PoE	<p>Not supported</p>
Power Consumption	<p>< 125 W (without expansion module) < 150 W (with expansion module)</p>
Operating Temperature	<p>0°C to 45°C (32°F to 113°F) at a height below 1800 m (1.12 miles) above the sea level. At a height ranging from 1800 m (1.12 miles) to 5000 m (3.11 miles) above the sea level, the maximum operating temperature decreases by 1°C (1.8°F) every time the altitude increases by 220 m (721.78 ft.).</p>

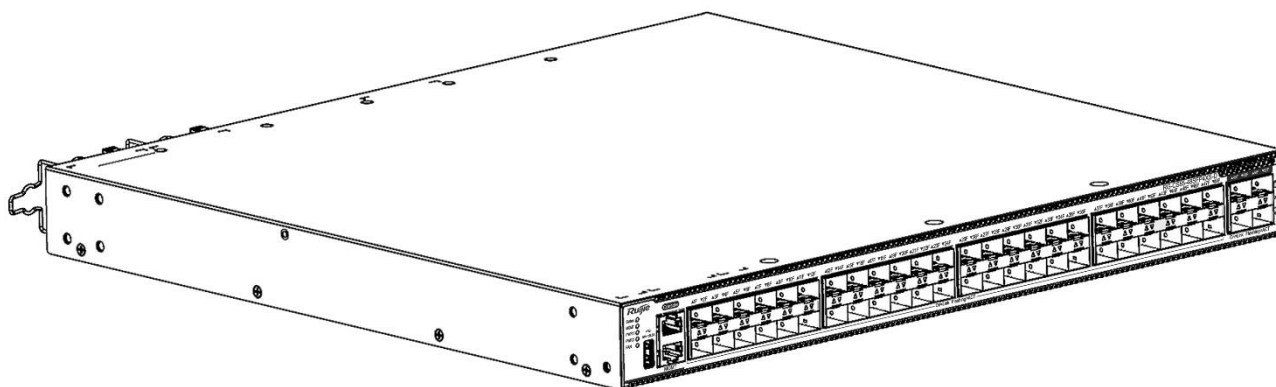
Storage Temperature	-40°C to 70°C (-40°F to 158°F)
Operating Humidity	10% to 90% RH (non-condensing)
Operating Altitude	0 to 5000 m (3.11 miles)
Storage Humidity	5% to 95% RH (non-condensing)
Fan	Fan speed control Fan fault alarming
Temperature Alarming	Supported
EMI Certification	GB/T 9254.1
Safety Regulation Compliance	GB 4943.1
Dimensions (W x D x H)	442 mm x 420 mm x 43.6 mm (17.40 in. x 16.54 in. x 1.72 in.)
Weight	4.5 kg (9.92 lbs.)

- ⚠ In a domestic environment, this product may cause radio interference.
- ⚠ This device is not suitable for use in locations where children are likely to be present.

Product Appearance

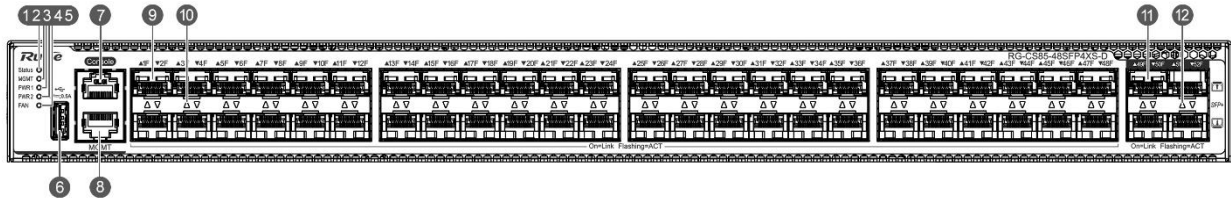
The RG-CS85-48SFP4XS-D Ethernet switch provides 48 GE SFP ports, four 10GE SFP+ ports, one management port, one USB port and one Console port on the front panel, three fan module slots, two power supply module slots and one expansion module slot on the back panel.

Figure 1-21 Appearance of RG-CS85-48SFP4XS-D



Front Panel

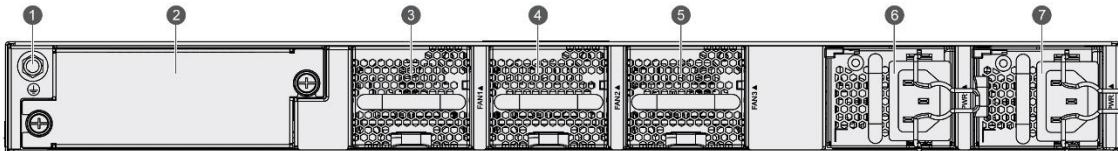
Figure 1-22 Front Panel of RG-CS85-48SFP4XS-D



Note:	1. System Status LED	7. Console Port
	2. MGMT Port Status LED	8. MGMT Port
	3. Power Supply Status LED (PWR1)	9. GE SFP Port
	4. Power Supply Status LED (PWR2)	10. GE SFP Port Status LED
	5. Fan Status LED	11. 10GE SFP+ Port
	6. USB Port	12. 10GE SFP+ Port Status LED

Rear Panel

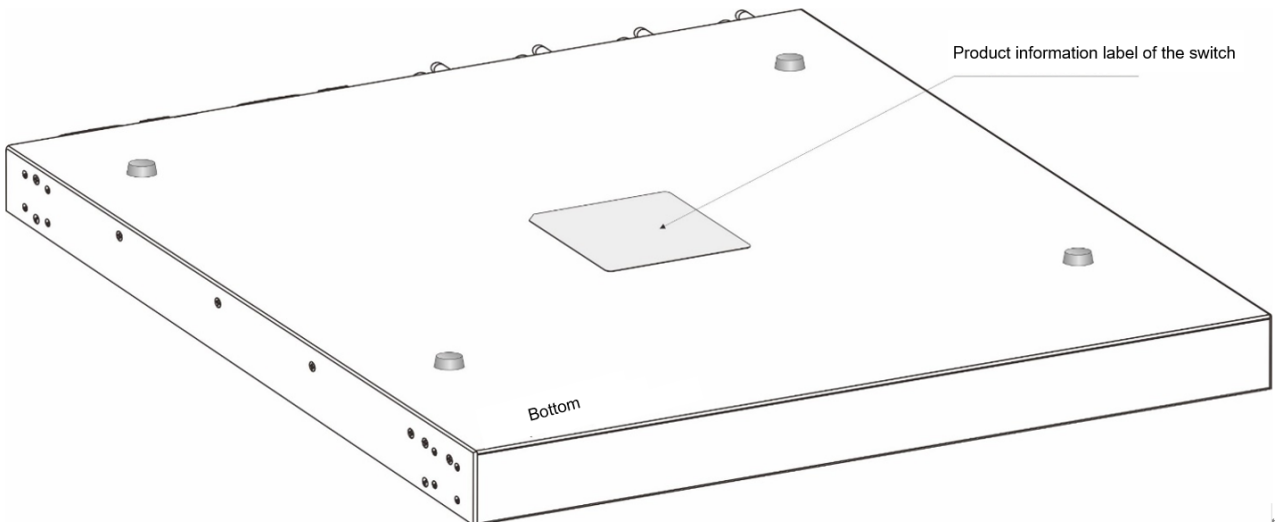
Figure 1-23 Rear Panel of RG-CS85-48SFP4XS-D



Note:	1. Grounding Lug	6. Power Supply Module Slot 1 (A filler panel is required if the slot is vacant.)	
	2. Filler Panel		
	3. Fan Module 1		7. Power Supply Module Slot 2 (A filler panel is required if the slot is vacant.)
	4. Fan Module 2		
	5. Fan Module 3		

Product Information Label

Figure 1-24 Product Information Label of RG-CS85-48SFP4XS-D



Note: The product information label is on the bottom of the switch.

Power Supply

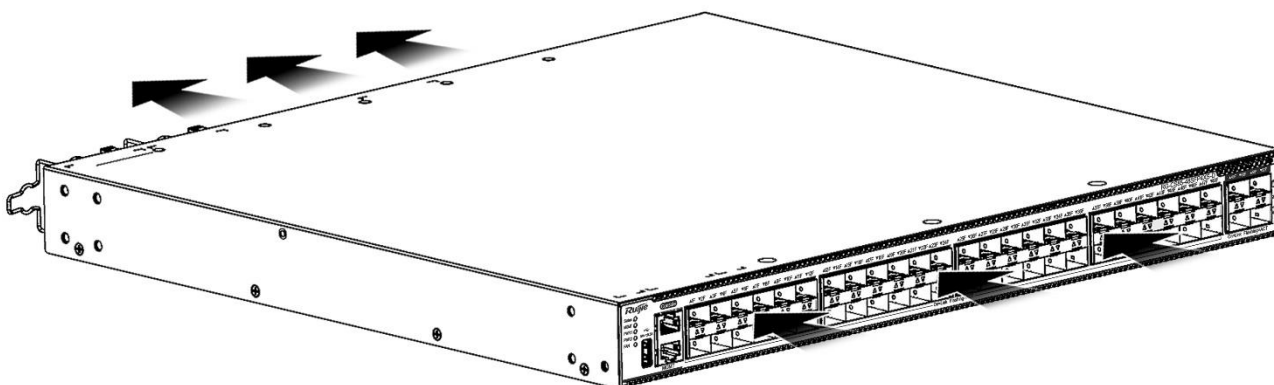
The RG-CS85-48SFP4XS-D supports dual power supply modules. See Chapter 1.7 for details about the power supply modules.

The switch can be powered on by either one power supply module or dual power supply modules. If both power supply modules are used, the switch works in the power redundancy mode.

Heat Dissipation

The RG-CS85-48SFP4XS-D adopts front-to-back airflow for heat dissipation, thereby ensuring the normal function of the device in the specified environment. Maintain a minimum clearance of 100 mm (3.94 in.) around the chassis for air circulation.

Figure 1-25 Airflow Direction




LED

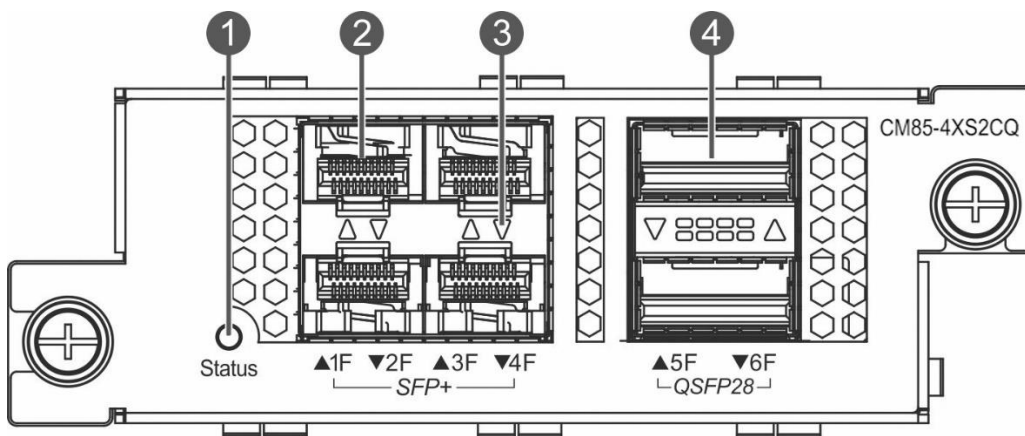
LED	Panel Identification	Status	Meaning
System status LED	Status	Off	The switch is not powered on.
		Blinking green (3 Hz)	Initialization is in progress. Continuous blinking indicates a fault.
		Blinking green (10 Hz)	It is used for on-site positioning of the device, and allows operation and maintenance personnel to perform remote power on and off control.
		Solid green	The switch is operational.
		Solid yellow	The temperature at the air intake and exhaust vents exceeds the threshold.
		Solid red	1. The temperature at the air intake and exhaust vents well exceeds the threshold. 2. The device is not functioning properly.
Power supply status LED	PWR1/PWR2	Off	The power supply module is not in place.
		Solid green	The power supply module is in place and operational.
		Solid Yellow	The model of the power supply module is not supported or cannot be identified.
		Solid red	The redundant power supply module is not functioning properly or not connected with the AC power cord.
	MGMT	Off	No link is detected for this port.

LED	Panel Identification	Status	Meaning
MGMT port status LED		Solid green	The port has made a successful 1000 Mbps link.
		Blinking green	The port is sending and receiving traffic at 1000 Mbps.
		Solid yellow	The port has made a successful 10/100 Mbps link.
		Blinking yellow	The port is sending and receiving traffic at 10/100 Mbps.
Fan status LED	FAN	Solid green	The fan module is in place and functioning properly
		Solid red	<ol style="list-style-type: none"> 1. A fan module is faulty. 2. The module type is not compatible with the system. 3. A fan module is not in place.
10GE SFP+ port status LED	49F-52F	Off	No link is detected for this port.
		Solid green	The port has made a successful 1/10 Gbps link.
		Blinking green	The port is sending and receiving traffic at 1/10 Gbps.
GE SFP port status LED	1F-48F	Off	No link is detected for this port.
		Solid green	The port has made a successful 100/1000 Mbps link.
		Blinking green	The port is sending and receiving traffic at 100/1000 Mbps.

1.7 CM85-4XS2CQ Expansion Module

Technical Specifications

Model	CM85-4XS2CQ
SFP Module Type	<p>SFP+ interface SFP module, SFP BIDI module SFP+ module, SFP+ AOC cable, SFP+ BIDI module QSFP+ module, QSFP+ AOC cable QSFP28 module, QSFP28 AOC cable</p> <p>See <i>Appendix B</i>.</p> <p> The module types may update without prior notification. Please contact Ruijie Networks for details.</p>
SFP+ Port	<p>10GBase-R Capable 1000Base-X Capable</p>
QSFP28 Port	100G/40G



Note:	1. System Status LED 2. GE SFP+ Port	3. GE SFP+ Port Status LED 4. QSFP28 Port
-------	---	--

LED

LED	Panel Identification	Status	Meaning
System status LED	Status	Off	The switch is not powered on.
		Blinking green (3 Hz)	Initialization is in progress. Continuous blinking indicates a fault.
		Solid green	The module is operational.
		Solid red	The module is faulty. For details, see <i>Troubleshooting</i> .
10GE SFP+ port status LED	1F-4F	Off	The port is not connected.
		Solid green	The port is connected at 1/10 Gbps.
		Blinking green	The port is receiving or transmitting data at 1/10 Gbps.
QSFP28 port status LED	5F-6F	Off	The port is not connected.
		Solid green	The port is connected at 40/100 Gbps.
		Blinking green	The port is receiving or transmitting data at 40/100 Gbps.

1.8 Power Supply Modules

1.8.1 RG-PA150I-F and RG-PA150IB-F Modules


The RG-CS85-24GT8XS-D, RG-CS85-48GT4XS-D and RG-CS85-24SFP/8GT8XS-D support RG-PA150I-F and RG-PA150IB-F power modules. The RG-CS85-48SFP4XS-D switch supports RG-PA150I-F and RG-PA150IB-F power modules.

RG-PA150I-F and RG-PA150IB-F are AC modules (AC/HVDC input and DC output) providing an output voltage of 12 V and an output power of up to 150 W.

- i The switch can be powered on by either one power supply module or dual power supply modules. If both power supply modules are used, the switch works in the power redundancy mode.
- i At least one power supply module is required. If any slot is unoccupied, install a filler panel to enable proper airflow.

Specifications

Power Model	RG-PA150I-F, RG-PA150IB-F
Device Model	RG-CS85-48GT4XS-D RG-CS85-24GT8XS-D RG-CS85-24SFP/8GT8XS-D/RG-CS85-48SFP4XS-D
Rated Voltage	AC input: 100 V AC to 240 V AC 50/60 Hz HVDC input: 240 V DC
Maximum Voltage	AC input: 90 V AC to 264 V AC 47/63 Hz HVDC input: 192 V DC to 288 V DC
Input Current	3 A max
Output Voltage	12 V
Max Current Output	12.5 A
Max Power Output	150 W
Input Leakage Current	≤ 3.5 mA
Dimensions (L x W x H)	196 mm x 50.5 mm x 40mm (7.72 in. x 1.99 in. x 1.57 in.)
Weight	0.55 kg (1.21 lbs.)
Temperature	Operating temperature: -10°C to 55°C (14°F to 131°F) Storage temperature: -40°C to 70°C (-40°F to 158°F)
Humidity	Operating humidity: 5% to 95% (non-condensing) Storage humidity: 5% to 95% (non-condensing)
Operating Altitude	0 m to 5,000 m (3.11 miles)

 When you plug a power cord, install the power cord retainer on the power cord correctly to prevent the cord from loosening.

 Power cords should be connected to a grounded output socket.

Features

Feature	Description
Conformal Coating	Protects circuits against moisture, frog, mold, electrical shock and leakage, and so on.
Protection	Provides undervoltage protection, output overcurrent protection, output overvoltage protection and output short circuit protection.
I2C Communication	Allows the host to communicate with the power supply module by I2C.
Power Supply Redundancy	Supports dual power supply modules to cooperate in parallel, enabling PE with 1+1 redundancy and redundant power supplies with current sharing.


Hot Swapping	Supports to disconnect one redundant power supply module from the outside power supply system, plug and unplug power supply modules while the device is powered on.
Power Supply Alarm	When a power fault occurs, the output status LED turns off.

LED

LED	Status	Meaning
Output Status	Off	There is no power output or output fault occurs.
LED	On	Power output is normal.

1.8.2 RG-PA600I-P-F Module

The RG-CS85-48GT4XS-HPD switch support the RG-PA600I-P-F power module. The RG-PA600I-P-F is an AC module (AC/HVDC input and DC output) providing an output voltage of 56 V and an output power of up to 600 W (PoE power: 370 W).


 The switch can be powered on by either one power supply module or dual power supply modules. If both power supply modules are used, the switch works in the power redundancy mode. The switch supports 1+1 power redundancy when the PoE power consumption is less than 370 W.


 At least one power supply module is required. If any slot is unoccupied, install a filler panel to enable proper airflow.

Specifications

Power Model	RG-PA600I-P-F
Device Model	RG-CS85-48GT4XS-HPD
Rated Input Voltage Range	AC Input: 100 V AC to 240 V AC, 50 Hz/60 Hz HVDC Input: 240 V DC
Maximum Input Voltage Range	AC Input: 90 V AC to 264 V AC, 47 Hz/63 Hz HVDC Input: 192 VDC to 288 VDC
Maximum Input Current	8 A
Output Voltage	56 V
Maximum Output Current	10.72 A
Maximum Output Power	600 W
PoE Power Consumption	370 W (Dual power supply modules: 740 W)
Ground Leakage Current	≤ 3.5 mA
Dimensions (W x D x H)	196 mm x 90 mm x 40 mm (7.72 in. x 3.54 in. x 1.57 in.)
Weight	0.9 kg (1.98 lbs.)
Operating Temperature	-10°C to 55°C (14°F to 131°F)

Storage Temperature	-40°C to +70°C (-40°F to 158°F)
Relative Operating Humidity	5% to 95% RH (non-condensing)
Relative Storage Humidity	5% to 95% RH (non-condensing)
Operating Altitude	0 to 5000 m (3.11 miles)

 When you plug a power cord, install the power cord retainer on the power cord correctly to prevent the cord from loosening.

 Power cords should be connected to a grounded output socket.

Features


Feature	Description
Conformal Coating	Protects circuits against moisture, frog, mold, electrical shock and leakage, and so on.
Protection	Provides undervoltage protection, output overcurrent protection, output overvoltage protection and output short circuit protection.
I2C Communication	Allows the host to communicate with the power supply module by I2C.
Power Supply Redundancy	Supports 1+1 power redundancy when the PoE power consumption is less than 370 W. Dual power supply modules are connected in parallel for current sharing.
Hot Swapping	Supports to disconnect one redundant power supply module from the outside power supply system, plug and unplug power supply modules while the device is powered on.
Power Supply Alarm	When a power fault occurs, the output status LED turns off.

LED

LED	Status	Meaning
Output Status LED	Off	The power supply module is not connected with a power cord.
	Solid Red	A power output error occurs, including fan fault, output short-circuit, output overcurrent protection, output overvoltage protection, power supply failure and overheat protection.
	Solid Green	The power supply module is outputting power normally.

1.8.3 RG-PA1000I-P-F Module


The RG-CS85-48GT4XS-HPD switch supports the RG-PA1000I-P-F power module. The RG-PA1000I-P-F module is an AC module (AC/HVDC input and DC output) providing an output voltage of 56 V and an output power of up to 1000 W (PoE power: 740 W).

 The switch can be powered on by either one power supply module or dual power supply modules. If both power supply modules are used, the switch works in the power redundancy mode. The switch supports 1+1 power redundancy when the PoE power consumption is less than 740 W.

 At least one power supply module is required. If any slot is unoccupied, install a filler panel to enable proper airflow.

Specifications

Power Model	RG-PA1000I-P-F
Device Model	RG-CS85-48GT4XS-HPD
Rated Input Voltage Range	AC Input: 100 V AC to 240 V AC, 50 Hz/60 Hz HVDC Input: 240 V DC
Maximum Input Voltage Range	AC Input: 90 V AC to 264 V AC, 47 Hz/63 Hz HVDC Input: 192 VDC to 288 VDC
Maximum Input Current	12 A (Input Voltage: 100 V AC) 8 A (Input Voltage: 200 V AC)
Output Voltage	56 V
Maximum Output Current	17.86 A (Input Voltage: 176 V AC to 290 V AC or 190 V DC to 290 V DC) 16.61 A (Input Voltage: 90 V AC to 176 V AC, 176 V AC not included)
Maximum Output Power	1000 W (Input Voltage: 176 V AC to 290 V AC or 190 V DC to 290 V DC) 930 W (Input Voltage: 90 V AC to 176 V AC, 176 V AC not included)
PoE Power Consumption	740 W (Dual power supply modules: 1480 W)
Ground Leakage Current	≤ 3.5 mA
Dimensions (W x D x H)	196 mm x 90 mm x 40 mm (7.72 in. x 3.54 in. x 1.57 in.)
Weight	1 kg (2.20 lbs.)
Operating Temperature	-10°C to 55°C (14°F to 131°F)
Storage Temperature	-40°C to 70°C (-40°F to 158°F)
Relative Operating Humidity	5% to 95% RH (non-condensing)
Relative Storage Humidity	5% to 95% RH (non-condensing)
Operating Altitude	0 to 5000 m (3.11 miles)

 When you plug a power cord, install the power cord retainer on the power cord correctly to prevent the cord from loosening.

 Power cords should be connected to a grounded output socket.

Features


Feature	Description
Conformal Coating	Protects circuits against moisture, frog, mold, electrical shock and leakage, and so on.
Protection	Provides undervoltage protection, output overcurrent protection, output overvoltage protection and output short circuit protection.
I2C Communication	Allows the host to communicate with the power supply module by I2C.
Power Supply Redundancy	Supports 1+1 power redundancy when the power consumption is less than 740 W. Dual power supply modules are connected in parallel for current sharing.
Hot Swapping	Supports to disconnect one redundant power supply module from the outside power supply system, plug and unplug power supply modules while the device is powered on.
Power Supply Alarm	When a power fault occurs, the output status LED turns off.


LED

LED	Status	Meaning
Output Status LED	Off	The power supply module is not connected with a power cord.
	Solid Red	A power output error occurs, including fan fault, output short-circuit, output overcurrent protection, output overvoltage protection, power supply failure and overheat protection.
	Solid Green	The power supply module is outputting power normally.

2 Preparing for Installation

2.1 Safety Precautions

 To avoid personal injury and equipment damage, please carefully read the safety precautions before you install the RG-CS85 series.

 The following safety precautions may not cover all possible dangers.

2.1.1 General Safety Precautions


- Keep the chassis clean and dust-free.
- Do not place the device in walking areas.
- Do not wear loose clothes, ornaments, or any other things that may be hooked by the chassis during the installation and maintenance.
- Cut off all power supplies and unplug all power cords before dismantling the cabinet.

2.1.2 Handling Safety


- Prevent the switch from being frequently handled.
- Cut off all power supplies and unplug all power cords before moving or handling the switch.
- Keep balance and prevent personal injuries when handling the switch.

2.1.3 Electric Safety


- Observe local regulations and specifications during electric operations. Only personnel with relevant qualifications can perform such operations.
- Check whether there are potential risks in the work area. For example, check whether the power supply is grounded, whether the grounding is reliable, and whether the ground is wet.
- Learn about the position of the indoor emergency power switch before installation. Cut off the power switch in case of accidents.
- Do not maintain the switch that is powered-on alone.
- Check the switch carefully before shutting down the power supply.
- Do not place the switch in a wet position, and keep the chassis away from liquid.


 Improper or incorrect electric operations may cause a fire, electric shock, and other accidents, and lead to severe and fatal personal injury and device damage.

 Direct or indirect touch on high voltage or mains power supply through wet objects may cause fatal dangers.

 If a power supply system is equipped with a leakage protector (also referred to as "leakage current switch" or "leakage current breaker"), the rated leakage action current of each leakage protector is greater than twice of the theoretical maximum leakage current of all the power supplies in the system. For example, if a system is equipped with eight identical power supplies, the leakage current of each power supply is equal to or less than 3 mA, and the leakage current of the system totals 24 mA. A leakage protector with 30 mA rated action current supports less than five power

supplies (that is, Action current of the leakage protector/2/Maximum leakage current of each power supply = 30/2/3 = 5). In other words, the leakage protector with 30 mA rated action current supports no more than four power supplies. In this case, the eight power supplies in the system require at least two leakage protectors with 30 mA rated action current and each leakage protector supports four power supplies. If power supplies in a system differ in models, the rated leakage action current of each leakage protector divided by two is greater than the sum of maximum leakage currents of all the power supplies. The rated leakage non-action current of a leakage protector shall be 50% of the leakage action current. Take a leakage protector with 30 mA rated leakage action current as an example. The rated leakage non-action current shall be 15 mA. When the leakage current is below 15 mA, the protector shall not act. Otherwise, misoperation may easily occur due to high sensitivity and thus the leakage protector trips, devices are powered off, and services are interrupted.

 To guarantee personal safety, the rated leakage action current of each leakage protector in the system must be equal to or less than 30 mA (human body safety current is 30 mA). When twice of the total leakage current of the system is greater than 30 mA, the system must be equipped with two or more leakage protectors.

 For the leakage current value of each power supply model, see the power supply model parameter table in Chapter 1.

2.1.4 Electrostatic Discharge Safety

To ensure electrostatic discharge safety, there are some precautions:


- Properly ground the device and floor.
- Keep the indoor installation environment clean and dust-free.
- Maintain appropriate humidity conditions.

2.1.5 Laser Safety

Among the modules supported by the RG-CS85 series, here are many transceiver modules that are Class I laser products.

Precaution:

- When a fiber transceiver works, ensure that the port has been connected with a fiber or covered by a dust cap to keep out dust and prevent it from burning your eyes.

 Do not approach or stare at any fiber port under any circumstances, as this may cause permanent damage to your eyes.

2.2 Installation Environment Requirements

Install the switch indoors to ensure its normal operation and prolonged service life.

The installation site must meet the following requirements.

2.2.1 Ventilation Requirements

RG-CS85 should be placed at least 10 cm away from surrounding walls to ensure normal heat dissipation. After various cables are connected, bundle the cables or place them in the cable management bracket to avoid blocking air inlets.

2.2.2 Temperature/Humidity Requirements


To ensure the normal operation and prolonged service life of the RG-CS85 series switch, maintain an appropriate temperature and humidity in the equipment room.

The equipment room with too high or too low temperature and humidity for a long period may damage the switch.

- In an environment with high relative humidity, the insulating material may have poor insulation or even leak electricity.
- In an environment with low relative humidity, the insulating strip may dry and shrink, loosening screws.
- In a dry environment, static electricity is prone to occur and damage the internal circuits of the switch.
- Too high temperatures can accelerate the aging of insulation materials, greatly reducing the reliability of the switch and severely affecting its service life.

Temperature and humidity requirements of the RG-CS85 series are as follows:

Temperature	Relative Humidity
0°C to 45°C (32°F to 113°F)	10% to 90% (non-condensing)

 The working temperature and humidity are measured 1.5 m above the ground and 0.4 m away from the front plat and when the chassis' front and rear protective plates are removed. The ambient temperature and humidity of the switch are measured at the point that is 1.5 m (59.06 in.) above the floor and 0.4 m (15.75 in.) before the switch rack when there is no protective plate in front or at the back of the rack.

2.2.3 Cleanliness Requirements

Dust poses a major threat to the switch. The indoor dust takes on a positive or negative static electric charge when falling on the switch, causing poor contact of the metallic joint. Such electrostatic adhesion may occur more easily when the relative humidity is low, not only affecting the service life of the switch, but also causing communication faults. The following table describes the requirements for the dust content and granularity in the equipment room.

Min Dust Diameter (μm)	0.5	5
Dust Particle (Particles/m³)	≤ 3.5x10 ⁶	≤ 3x10 ⁴

Apart from dust, the salt, acid, and sulfide in the air in the equipment room must meet strict requirements. These harmful substances will accelerate metal corrosion and component aging. Therefore, the equipment room should be properly protected against the intrusion of harmful gases, such as sulfur dioxide, hydrogen sulfide, nitrogen dioxide, and chlorine gas. The following table lists limit values for harmful gases.

Gas	Average (mg/m ³)	Maximum (mg/m ³)
Sulfur dioxide (SO ₂)	0.3	1.0
Hydrogen sulfide (H ₂ S)	0.1	0.5
Nitrogen dioxide (NO ₂)	0.5	1.0
Chlorine gas (Cl ₂)	0.1	0.3

2.2.4 Grounding Requirements

A good grounding system is the basis for stable and reliable running of the RG-CS85 series and is indispensable for preventing lightning strikes and interference. Please carefully check the grounding conditions at the installation site according to the grounding specifications, and complete grounding properly based on the actual situation.

! Correct grounding is the key to prevent lightning strikes and resist interference and must be performed by users.

Safety Grounding

Ensure that the switch are grounded through the yellow/green safety grounding cable when the device adopts the AC power supply. Otherwise, electric shock may occur when the insulation resistance between the power supply inside the switch and the chassis becomes small.

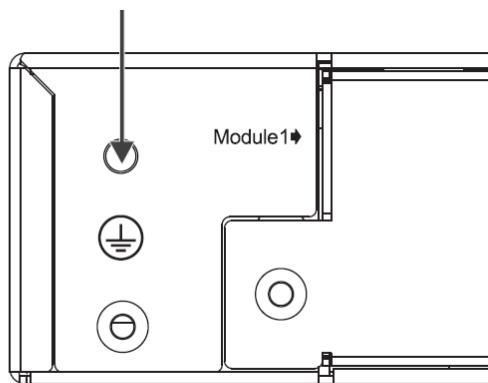
Lightning Grounding

The lightning protection system of facilities is standalone, and is composed of a lightning rod, a lower conductor, and a connector connected to the grounding system. The grounding system is usually used for power reference grounding and safety grounding of the cabinet. Lightning grounding is required only for facilities and is not required for the switch.

EMC Grounding

Grounding required for electromagnetic compatibility includes shielded grounding, filter grounding, noise and interference suppression, and level reference, which contribute to the overall grounding requirements. The grounding resistance should be smaller than 1 ohm. The RG-CS85 back panel has one grounding connector.

Figure 2-1 Grounding of the RG-CS85



2.2.5 Lightning Protection Requirements

The AC power port must be connected to an external lightning protection power strip to prevent the switch from being struck by lightning when the AC power cord is introduced from the outdoor and directly connected to the power port of the switch. The lightning protection power strip can be fixed on the cabinet, workbench, or wall in the equipment room by using cable ties and screws. AC power enters the lightning protection power strip and then gets to the switch.

! The RG-CS85 series switch is delivered without a lightning protection socket. Please prepare a lightning protection socket yourself.

! For the usage of the lightning protection socket, refer to its manual.

2.2.6 EMI Consideration

Various interference sources, from either outside or inside the equipment or application system, affect the system in the conductive ways such as capacitive coupling, inductive coupling, and electromagnetic radiation.

There are two types of electromagnetic interferences: radiated interference and conducted interference, depending on the type of the propagation path. When the energy, often RF energy, from a component arrives at a sensitive component

via the space, the energy is known as radiated interference. The interference source can be both a part of the interfered system and a completely electrically isolated unit. Conducted interference results from the electromagnetic wire or signal cable connection between the source and the sensitive component, along the cable the interference conducts from one unit to another. Conducted interference often affects the power supply of the equipment, but can be controlled by a filter. Radiated interference may affect any signal path in the equipment, and is difficult to shield.

- Take effective measures for the power system to prevent the interference from the electric grid.
- Keep the running position of the switch as far as possible from the grounding device of the power equipment or the anti-lightning grounding device.
- Keep the device away from high-power radio transmitter, radar transmitting station, and high-frequency large-current device.
- Take measures to isolate static electricity.

2.3 Precautions for Fiber Connection

Before you connect the fibers, check that the optical connector type and fiber type match the optical interface type used. In addition, pay attention to the Tx and Rx directions of the fiber. The Tx end of this device should be connected to the Rx end of the peer device, and the Rx end of this device to the Tx end of the peer device.

2.4 Tools

List of Tools

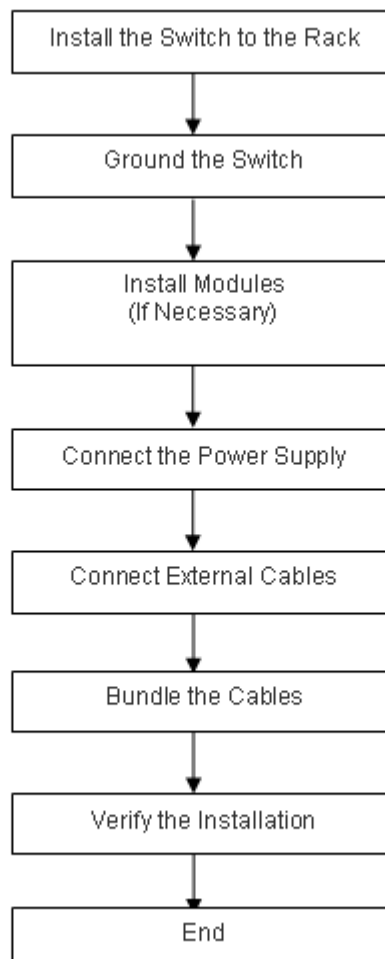
Common Tools	Phillips screwdriver, flat-head screwdriver, wires, network cables, fastening bolts, diagonal pliers, and binding straps
Special Tools	Anti-static tools
Meters	Multimeter

 The RG-CS85 series switch is delivered without a tool kit. Please prepare a tool kit yourself.

3 Installing the Switch

 Please ensure that you have carefully read Chapter 2 and make sure that the requirements in Chapter 2 are all met.

3.1 Installation Procedure



3.2 Preparing

Before installation, please confirm the following requirements before installation:

- The installation position provides sufficient space for heat dissipation.
- The installation position meets the temperature and humidity requirements of the switch.
- The power supply and required current are available in the installation position.
- The network cables have been deployed in the installation position.

3.3 Mounting the Switch

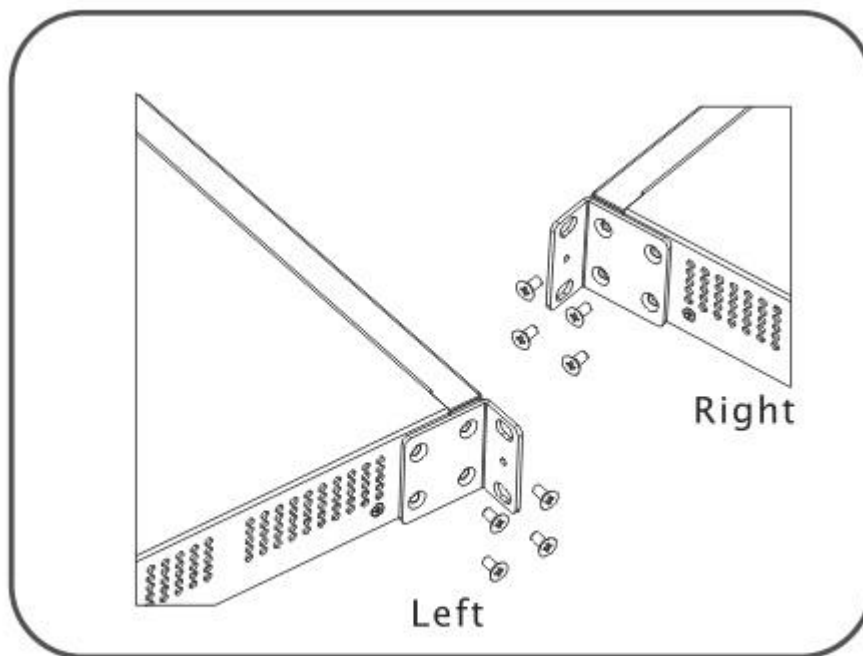
Precautions

During installation, note the following points:

- Connect the power cables of different colors to the corresponding grounding connectors.
- Ensure that the power cables are well grounded.
- Do not place heavy objects on the switch.
- Maintain a minimum clearance of 10 cm (3.94 in.) around the chassis to facilitate heat dissipation. Do not stack the devices.
- Keep the switch far away from high-frequency current devices such as high-power radio transmitting station and radar launcher. Take electromagnetic shielding measures when necessary, such as electromagnetic shielding cables.
- Adopt indoor cabling. Outdoor cabling is prohibited to prevent damages to interfaces due to over-voltage or over-current caused by lightning.

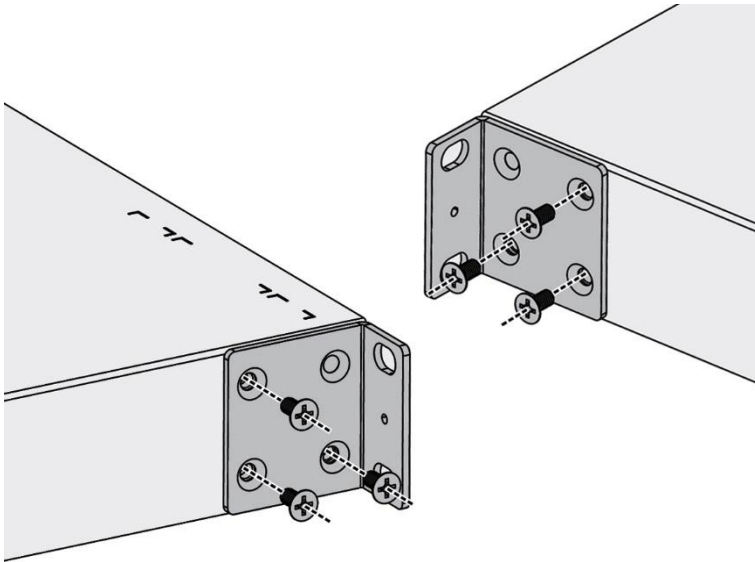
3.3.1 Mounting the Switch into a Cabinet

The RG-CS85 series switches follow the EIA standard dimensions and can be installed in 19-inch cabinet. During the installation, place the front panel on the front part of the bracket. For safety, fasten screws to secure the bracket on the switch. Figure 3-1 Securing the Mounting Bracket on the RG-CS85-48GT4XS-D/RG-CS85-24GT8XS-D/RG-CS85-24SFP/8GT8XS-D Switches



Secure the Switch on the 19 inch Standard Rack

Figure 3-2 Securing the Mounting Bracket on the RG-CS85-48GT4XS-HPD/RG-CS85-48SFP4XS-D Switches



3.3.2 Mounting the Switch on a Workbench

If a standard 19-inch cabinet is unavailable, you can mount the switch onto a workbench with the following 2 steps.

- Attach the foot pads delivered with the switch to small holes at the bottom of the switch.
- Place the switch on the workbench and maintain a minimum clearance of 10 cm (3.94 in.) around the chassis to facilitate ventilation.

3.4 Installing and Removing the Expansion Module

i CM85 Series Expansion Module is not hot-swappable.

Wear anti-static gloves before the following operations.

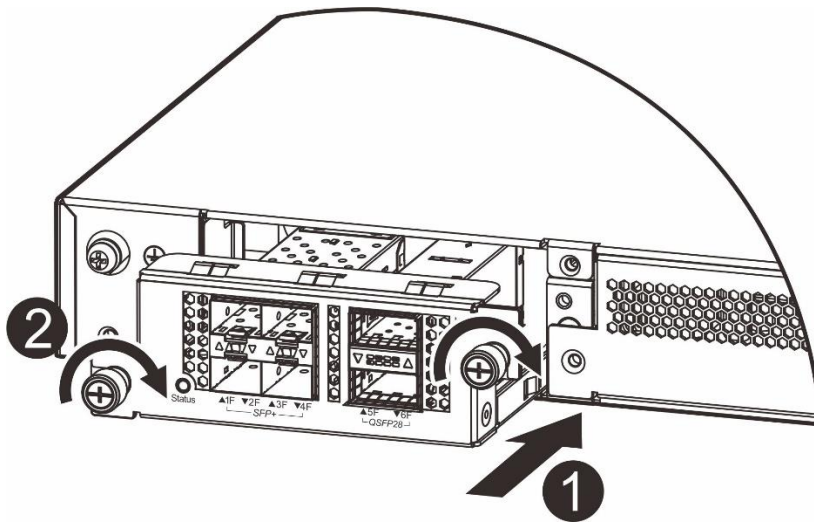
Installing an CM85 Series Expansion Module

Step 1: Take off the filler panel in the expansion module slot on the front panel of a RG-CS85 series switch.

Step 2: Take out a new expansion module. Pinch the captive screws on the module. Align the expansion module with the guide rail of the corresponding slot and straightly and slowly insert the module into the chassis along the guide rail until it clicks into place.

Step 3: Fasten captive screws with a screwdriver to secure the expansion module in the switch chassis.

Figure 3-3 Installing an Expansion Module



- ⚠ Insert the expansion module smoothly. Pay attention to the direction of the expansion panel to avoid wrong insertion.
- ⚠ Do not hold the PCB edges or crash the components on the PCB.
- ⚠ Insert the expansion module into the chassis gently. If it is difficult to push it, pull the expansion module out and check whether it is aligned with the expansion module slot. If yes, proceed with the operation.
- ⚠ If the screws cannot be tightened, it is probably because the expansion module is not fully inserted. Please have a double check.

Removing an CM85 Series Expansion Module

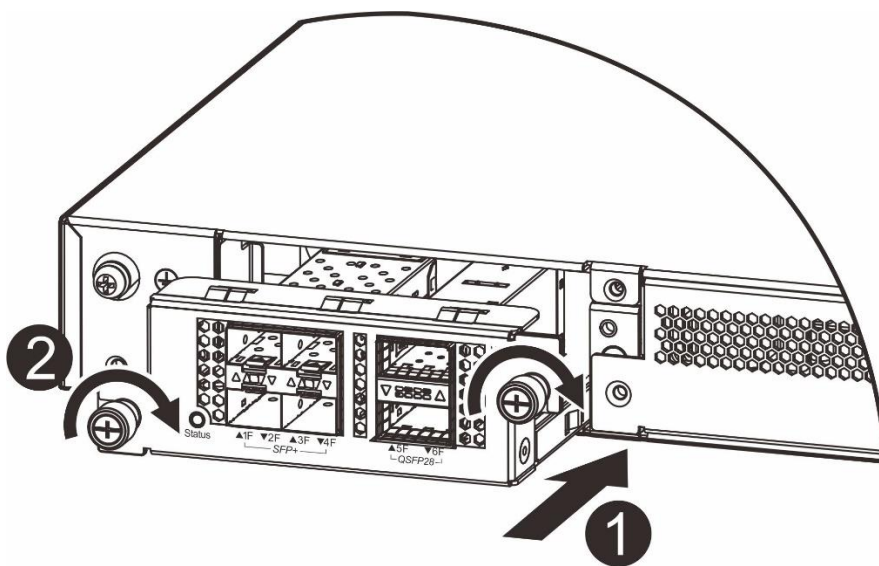
Step 1: Unplug all cables on the panels like optical fiber and RJ45 twisted pairs.

Step 2: Use the screwdriver to loosen the captive screws of the expansion module.



Step 3: Pinch the captive screws and pull out the expansion module along the guide rail straightly and slowly.

Step 4: Install a filler panel in a vacant slot and put the removed expansion module into its package.

Figure 3-4 Removing an Expansion Module



- ⚠ Pull out the expansion module straightly and slowly.

-
-  Do not hold the edge of the PCB or crash the components on the PCB.
 -  Install a filler panel in a vacant slot where an expansion module is removed to ensure normal ventilation and dissipation and avoid dust in the chassis.
-

3.5 Installing and Removing the Fan Module

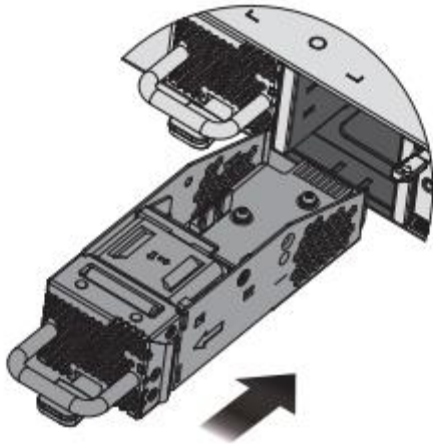
Wear anti-static gloves before the following operations.


Installing an Fan Module

Step1: Wear anti-static gloves and take out a new fan module from its packing materials.

Step 2: Grasp the handle and insert the fan module straightly and slowly into the chassis along the guide rail until it clicks into place.

Figure 3-5 Installing a Fan Module



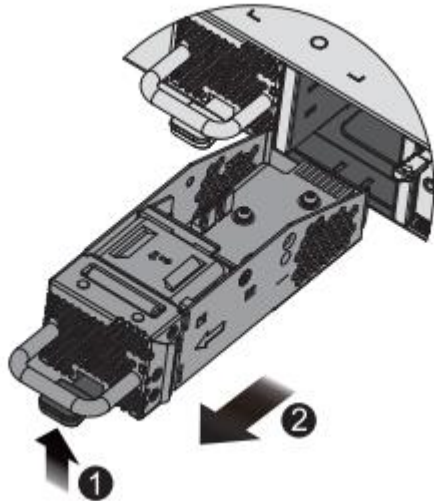
-
-  Slide the fan module into the slot straightly and slowly. Verify that the fan module is in the correct orientation. If not, pull the fan module out, and slide it into the slot again
-

Removing a Fan Module

Step 1: Press the latch with one hand. Meanwhile, grasp the handle and pull out a part of the fan module with another hand. Then pull the fan module out straightly and slowly.

Step 2: Put the removed fan module into its packaging materials.

Figure 3-6 Removing a Fan Module



- ⚠ Remove the fan module straightly and slowly.
- ⚠ Install a filler panel in a vacant slot to ensure the normal ventilation and dissipation and avoid the dust in the chassis.

3.6 Installing and Removing the Power Supply Module

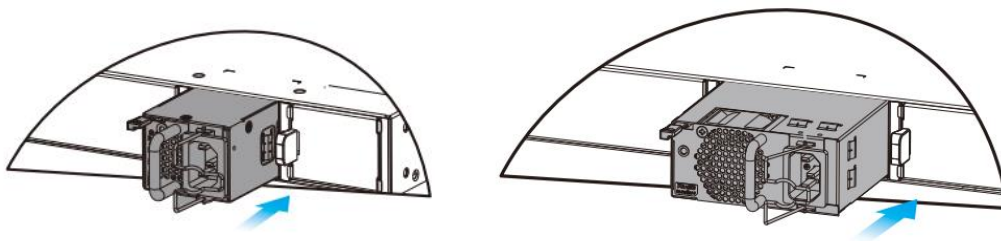
Wear anti-static gloves before the following operations.

Installing the AC Power Supply Module

Step 1: Take out a new power supply module and ensure that the input mode and input indicators of the power supply module meet requirements.

Step 2: Remove the filler panel. With the panel printed with the power nameplate information as the upper panel, grab the power supply module handle with one hand and hold the bottom of the power supply module with the other hand. Straightly and slowly insert the power supply module into the chassis along the guide rail until it clicks into place.

Figure 3-7 Installing a Power Supply Module



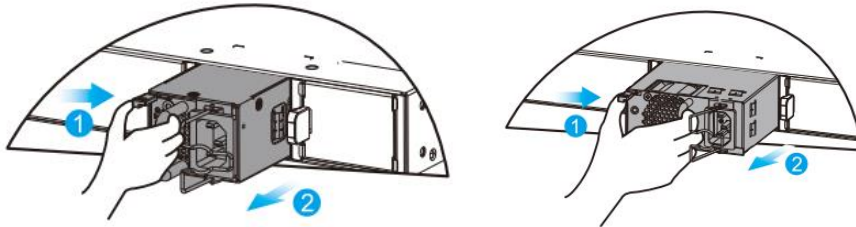
- ⚠ Insert the power supply module straightly and slowly. Verify that the power supply module is in the correct orientation.
- ⚠ Insert the power supply module into the chassis gently. If it is difficult to fully insert the module, pull the module out, align it to the guide rails and slide it into the slot again.

Removing the AC Power Supply Module

Step 1: Press the latch to pull out the power supply module with one hand. Hold the power supply module with another hand.

Step 2: Install a filler panel in the vacant slot and store the removed power supply module into its package.

Figure 3-8 Removing a Power Supply Module



! Remove the power supply module straightly and slowly.

! Install a filler panel in a vacant slot when the power supply module is removed to ensure the normal ventilation and dissipation and avoid the dust in the chassis.

Installing the DC Power Supply Module

1. Remove the module from its packing materials and make sure the input specifications meet requirements.
2. Remove the blank filler panel in the empty slot. Keep the module nameplate face upward. Grasp the handle with one hand and place your other hand under the module to support its weight. Slide the module all the way into the slot along the guide rail until you feel the connector snap into place. The two screws of the DC power supply are the input of the power supply. Remove the protective cover of the power input terminal, loosen the screw, and connect the terminals of the power cord. From left to right, they are blue and red, and then cover the terminal protective cover.
3. Connect the other end of the power cord to the DC terminal block of the rack. Connect the blue power cord to -48 V DC, and the red power cord to the -48 V GND.

Figure 3-9 Installing a Power Supply Module

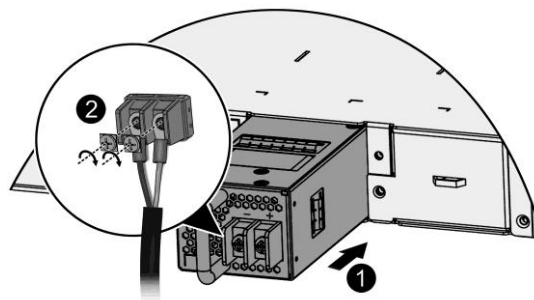
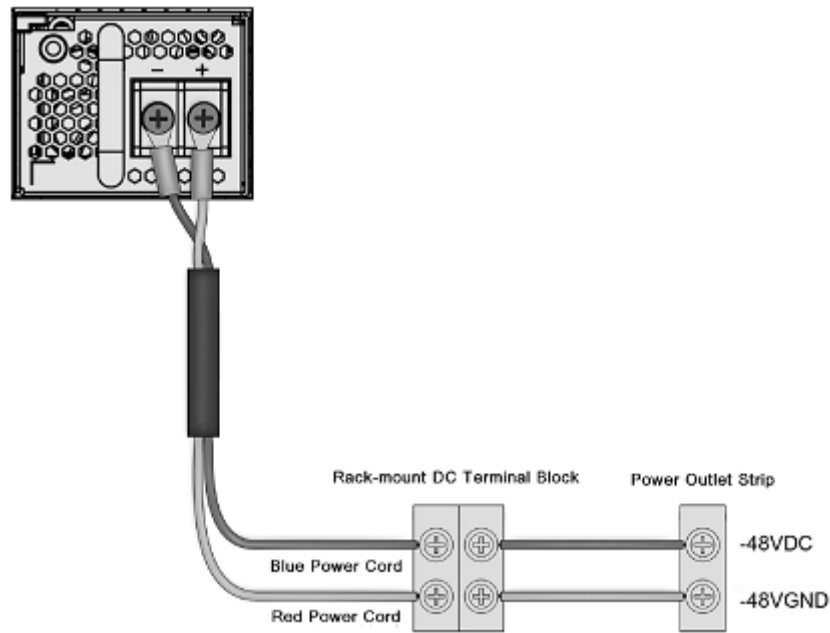


Figure 3-10 DC Terminal Block

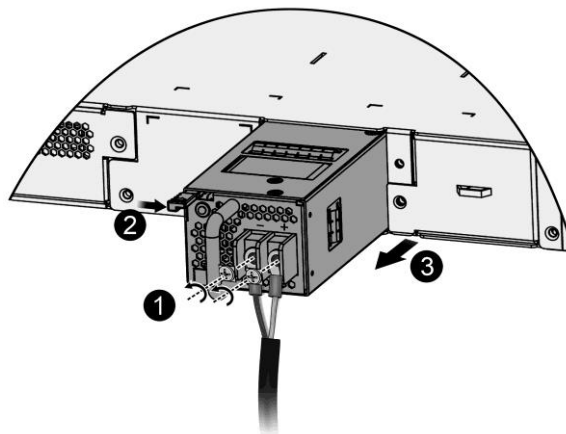


- ⚠ Slide the module into the slot. Verify that the power supply module is in the correct orientation.
- ⚠ If you find it difficult to fully insert the module, pull the module out, align it to the guide rails and slide it into the slot again.

Removing the DC Power Supply Module

1. Press the latch on the module and grasp the handle with one hand. Place your other hand under the module to support its weight. Pull the module fully out of the slot.
2. Install the filler panel in the empty slot. Put the removed module back into its packing materials.

Figure 3-11 Removing the Module




- ⚠ Pull the module out of the slot gently.
- ⚠ Install the filler panel in the empty slot to allow for adequate airflow.


3.7 Connecting the Ground Cable of the Switch


A PGND is installed on the back of RG-CS85 (M5*12PWM screws). First connect the PGND to the grounding terminal of the cabinet and then connect the grounding terminal to the grounding bar of the equipment room.


Precautions

- The cross-sectional area of the ground cable should be determined according to the possible maximum current. Cables with good conductor should be used.
- Do not use bare wire.
- To ensure human safety and device security, the switch must be properly grounded. The resistance between the chassis and ground should be less than 0.1 ohm.

 To ensure human safety and device security, the switch must be properly grounded. The resistance between the switch chassis and ground should be less than 0.1 ohm.

 Please check whether the AC socket of the switch is reliably connected to the protection ground of the building. If not, please use a protection ground wire to connect the protection ground terminal of the AC socket to the protection ground of the building.

 The power socket should be installed in an easily operable position near the switch.

 During the device installation, always make the ground cable connected first and disconnected last.

 The cross-sectional area of the protection ground cable should be at least 2.5 mm² (12 AWG).

3.8 Connecting the External Interface Cables

Precautions

- Correctly distinguish single-mode and multi-mode fibers and ports.
- Avoid bends of small curvature at the connector.

Simple Connection Steps

Step 1: Connect one end of the RJ45 connector to the Ethernet MGMT interface of the device board, and the other end to the NMS or a control terminal.

Step 2: Insert the single-mode or multi-mode fiber into the appropriate interface according to the identification on the panel of the line card. Distinguish the Rx/Tx end of the fiber. Step 3: Insert the twisted pair with the RJ45 port into the appropriate interface according to the identification on the panel of the line card. Distinguish the crossover cable and straight-through cable.

3.9 Bundling the Cables

Precautions


- The power cables and other cables should be bundled in a visually pleasing way.
- When you bundle fibers, make sure that the fibers at the connectors have natural bends or bends of large radius.
- Do not bundle fibers and twisted pairs too tightly, as this may press the fibers and affect their service life and transmission performance.

Simple Bundling Steps

- Bind the drooping part of the fibers and twisted pairs of each board, and lead them to both sides of the chassis for convenience.

- On the both sides of the chassis, fasten the fibers and twisted pairs to the cabinet cable management ring or cabling chute.
- For the power cables, you should bundle them closely along the chassis downward in a straight line wherever possible.

3.10 Verifying Installation

 Before verifying the installation, cut off the power supply to avoid any personal injury or damage to the component due to connection errors.

- Verify that the ground cable is connected.
- Verify that the cables and the power cord are properly connected.
- Verify that the cablings are all indoor. If any outdoor cabling is found, check the connection to lightening protection power strip of AC power or lightening arrester of Ethernet port.
- Maintain a minimum clearance of 10 cm (3.94 in.) around the chassis to facilitate heat dissipation.

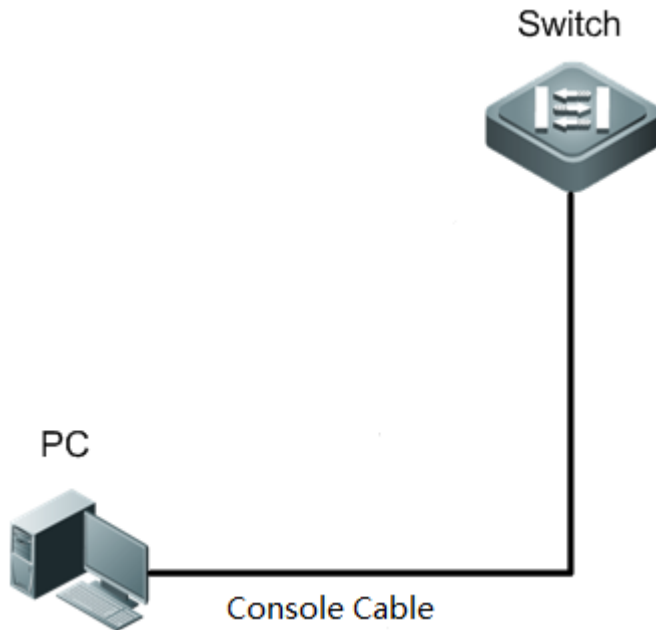
4 Verifying Operating Status

4.1 Setting up Configuration Environment

Setting up Configuration Environment

Connect the PC to the management port of the switch through a network cable, as shown in Figure 4-1.

Figure 4-1 Configuration Environment



Connecting the Console Cable

The RG-CS85 series switches adopt console cable connecting:

- Plug the DB-9 head of the console cable into the network port of the PC.
- Plug the RJ45 connector of the console cable into the console port of the switch.

Setting Terminal Parameters

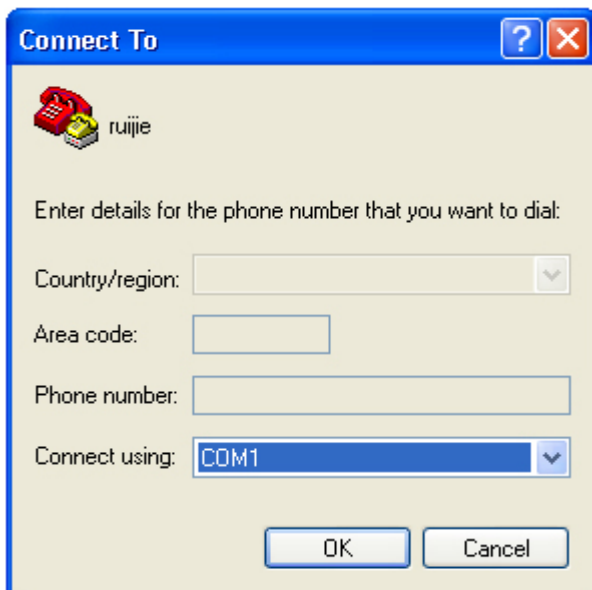
- Start the PC and run the terminal simulation program on the PC, such as Terminal on Windows 3.1 or HyperTerminal on Windows 95/98/NT/2000/XP.
 - Set terminal parameters. The parameters are as follows: baud rate 9600, data bit 8, parity check none, stop bit 1, and flow control as none.
- 1) Choose **Setup > Program > Attachment > Communication > Super Terminal**.
 - 2) Choose **Cancel**. A window appears as shown in Figure 4-2.

Figure 4-2



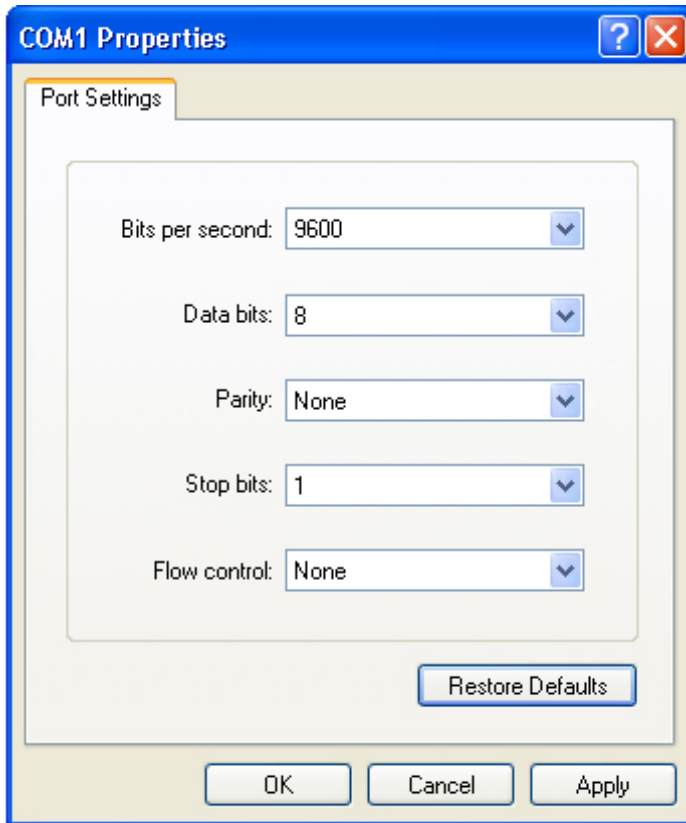
3) In the Connectivity Note window, enter the name of the new connection and click **OK**. A window appears as shown in Figure 4-3. In the Connect Using field, select the serial port you want to use.

Figure 4-3



4) After selecting the serial port, click **OK**. The Serial Port Parameter Setting window is displayed, as shown in Figure 4 4. Set the baud rate to 9600, data bit to 8, parity check to none, stop bit to 1, and flow control to none.

Figure 4-4



5) After setting the serial port parameters, click **OK**. The Hyperterminal window appears.

4.2 Checking Environment before/after Power-on

Checking Environment before Power-on

- Check whether the switch is properly grounded.
- Check whether the power cord is properly connected.
- Check whether the power supply voltage meets the requirement.
- Check whether the network cable is properly connected, whether the terminal (may be PC) is started, and whether configuration parameters are configured.

Checking Environment after Power-on (Recommended)

After power-on, check the following items:

- Check the information appears on the terminal interface.
- Check the switch indicator status.


5 Monitoring and Maintenance

5.1 Monitoring

Indicator

When the RG-CS85 switch is running, you can monitor the module status by observing the module indicator

- If the SYS indicator of the device is red, it indicates that the power supply module is faulty or not in place or the service module is faulty. Log in to the web-based management system to confirm and troubleshoot the fault.
- If the SYS indicator of the device is yellow, it indicates that the system temperature reaches the warning value or the service module is abnormal. This case may affect the system performance, but the system can keep running. Log in to the web-based management system to confirm and troubleshoot the fault.
- If the SYS indicator of the device is red, it indicates that the module is faulty. Check the cause of the fault. Cut off the power supply if necessary.
- When the PWR1/PWR2 indicator of the device is yellow, it indicates that the power is not sufficient to support the whole system, insert RPS modules.
- When the PWR1/PWR2 indicator of the device is red, check whether the power cord is in place and operational; if yes, it indicates that the power supply is faulty, replace the power supply in time.

 The fast flashing green (10 Hz) status of the system indicator is a function used to locate the switch, which should be distinguished from the slow flashing status (3 Hz).

CLI Commands

The switch allows you to monitor various system statuses by executing the appropriate CLI commands, including:

- Working status of the switch
- Configuration information and status of port
- Working status of fan and power supply
- Temperature status

 For the monitoring commands, refer to *RG-CS85 Series Switch RGOS Configuration Guide*.

5.2 Maintenance

Ventilation System Maintenance

- The fan module responsible for heat dissipation is equipped with the fault monitoring signal. When the fan module is faulty, an alarm will occur.
- Power off the device, and replace the faulty fan module with a qualified one.




Power Supply Module Maintenance

When a power supply module is faulty, unplug the power cord, press the latch, grab the handle, pull it out, replace it with a qualified one, and then plug the power cord.

Replacing Lithium Battery

The built-in lithium batteries can support the real time clock of the RG-CS85 switch without external power supply.

To replace lithium batteries, please contact technical support personnel of Ruijie Networks. The technical support personnel will select lithium batteries of the same specifications for replacement.

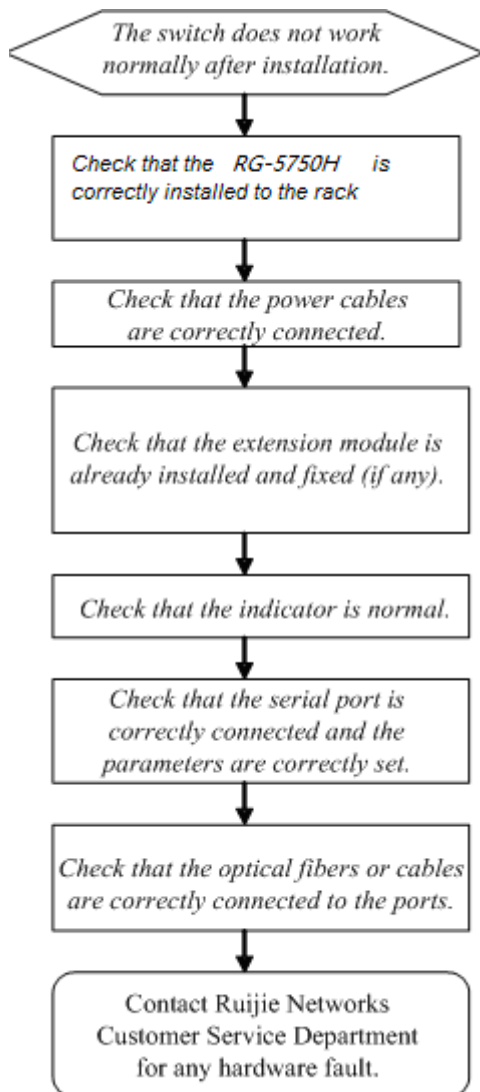
-
-  Replacing the battery with the wrong type may cause explosion or danger. If the battery is damaged, please replace it with the same type.
 -  Exposing the battery to extremely high temperatures and/or extremely low air pressure may cause the battery to explode or leak flammable liquids or gases.
 -  Throwing the battery into a fire or oven, or mechanically crushing or cutting it may cause the battery to explode.
-

Replacing Fuses

To replace fuses, please contact technical support personnel Ruijie Networks. The technical support personnel will select fuses of the same specifications for replacement.

6 Troubleshooting

6.1 General Troubleshooting Procedure



6.2 Common Troubleshooting Procedures

Fault 1: The system login password is lost.

[Fault Description]

The system login password of the switch is forgotten or lost, and so it is not possible to configure the data.

[Troubleshooting]

Please contact Ruijie Customer Service Department for technical support.

Fault 2: The AC power supply module does not work.

The indicator on the front panel of the switch is OFF. The Status indicator of fan module is OFF, and the fan does not work.

The indicator on the panel of the power module is OFF. The fan does not work.

[Troubleshooting]

First unplug the power cord of the power module. Check if the cables of the cabinet have been correctly connected. Check whether the cabinet power sockets are loosely connected to power modules. Check whether the power modules are installed correctly. If necessary, pull out the power modules and check whether the connectors of the power system get loose.

Fault 3: The serial port console has no output.

[Fault Description]

After the system is started, the serial console does not display any information.

[Troubleshooting]

Check whether serial port cables are connected correctly, whether serial port cables are disconnected, and whether the connected serial port is identical with that configured on the hyper terminal. Check whether the configuration of the serial port on the hyper terminal is the same as that described in *RG-CS85 Series Switch RGOS Configuration Guide*. If not, modify the serial port configuration parameters. If there is still no serial port printed information, please contact Ruijie Customer Service Department for technical support.

Fault 4: The serial port console outputs illegible characters.

[Fault Description]

The serial port console outputs illegible characters, which are unable to identify.

[Troubleshooting]

Such a problem is related to the settings of the serial port. Check if the settings of such parameters as the baud rate match those in *RG-CS85 Series Switch RGOS Configuration Guide*.

Fault 5: The newly-inserted service card module fails to be powered on.

[Fault Description]

The system is running, yet all indicators on the panel of the newly-inserted expansion module are OFF, and the port is faulty.

[Troubleshooting]

Check whether the module is inserted correctly. If the newly-inserted module still cannot be powered on even though the checking is ok, please contact Ruijie Customer Service Department for technical support.

Fault 6: The link cannot be set up between fiber interfaces.

[Fault Description]

The system runs normally. After the fiber interface is inserted into the optical module and the optical fiber is properly connected, the link cannot be set up.

[Troubleshooting]

- Check whether the receiving and sending ends are wrongly connected. The sending end of the fiber interface needs to be connected to the receiving end of the other fiber interface. You can check by changing the sequence in which the two optical fibers are connected on the optical module.

- Check whether the optical module wavelengths of the two sides are consistent. For example, an optical module of 1310 nm wavelength cannot be connected to an optical module of 1550 nm wavelength.
- Check whether the distance between the two sides exceeds the length indicated on the optical module.
- Check whether the rates of the two sides match and whether the optical fiber type meets requirements. In addition, for ports supporting different rate, check whether rate modes are configured correctly.

Appendix A Connectors and Media

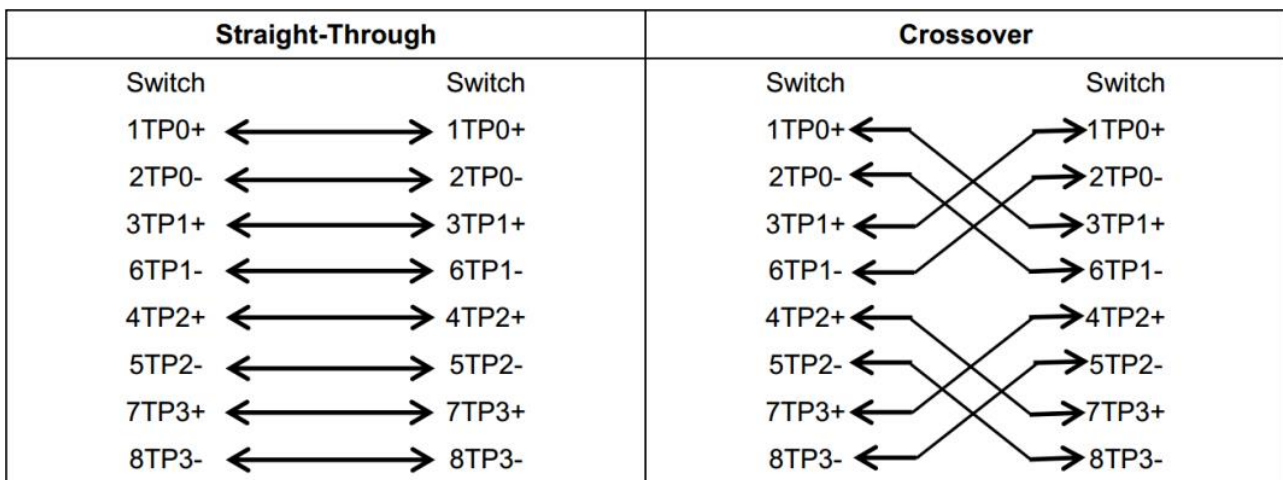
1000BASE-T/100BASE-TX/10BASE-T Port

The 1000BASE-T/100BASE-TX/10BASE-T is a port that supports adaptation of three rates, and automatic MDI/MDIX Crossover at these three rates.

The 1000BASE-T complies with IEEE 802.3ab, and uses the cable of 100-ohm Category-5 or Supper Category-5 UTP or STP, which can be up to 100 m (328 feet).

The 1000BASE-T port uses four pairs of wires for transmission, all of which must be connected. Figure A-1 shows the connections of the twisted pairs used by the 1000BASE-T port.

Figure A-1 Schematic Diagram for the Four Twisted Pairs of the 1000BASE-T



In addition to the above cables, the 100BASE-TX/10BASE-T can also use 100-ohm Category-3, 4, 5 cables for 10 Mbps, and 100-ohm Category-5 cables for 100 Mbps, both of which can be up to 100 m (328 feet). Figure A-2 shows the pinouts of the 100BASE-TX/10BASE-T.

Figure A-2 Pinouts of the 100BASE-TX/10BASE-T

Pin	Socket	Plug
1	Input Receive Data+	Output Transmit Data+
2	Input Receive Data-	Output Transmit Data-
3	Output Transmit Data+	Input Receive Data+
6	Output Transmit Data-	Input Receive Data-
4,5,7,8	Not used	Not used

Figure A-3 shows the straight-through and crossover cable connections for the 100BASE-TX/10BASE-T.

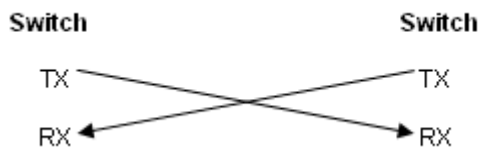
Figure A-3 Connections of the Twisted Pairs of the 100BASE-TX/10BASE-T

Straight-Through		Crossover	
Switch	Adapter	Switch	Switch
1 IRD+	1 OTD+	1 IRD+	1 IRD+
2 IRD-	2 OTD-	2 IRD-	2 IRD-
3 OTD+	3 IRD+	3 OTD+	3 OTD+
6 OTD-	6 IRD-	6 OTD-	6 OTD-

Optical Fiber Connection

For the optical fiber ports, select single-mode or multiple-mode optical fibers for connection according to the fiber module connected. The connection schematic diagram is shown in Figure A-4:

Figure A-4 Schematic Diagram for optical fiber connection



Appendix B 10G SFP Modules Specifications

Ruijie Networks provides various Gigabit SFP (Mini-GBIC modules), and 10G SFP+ transceivers for interfaces of modules on the switch. You can select the most suitable SFP transceivers as needed.

GE Mini-GBIC (SFP) Models and Specifications

Table B-1 GE Mini-GBIC (SFP) Models

Model	Wavelength (nm)	Fiber type	DDM (Yes/No)	Transmit (dBm)		Receive (dBm)	
				Min	Max	Min	Max
MINI-GBIC-SX-MM850	850	MMF	No	-9.5	-3	-17	0
MINI-GBIC-LX-SM1310	1310	SMF	No	-9.5	-3	-20	-3
GE-SFP-SX	850	MMF	No	-9.5	-3	-17	0
GE-SFP-LX	1310	MMF	No	-9.5	-3	-20	-3
GE-SFP-SX-SM1550-BIDI	1550TX/1310RX	MMF	No	-10	-5	-17	-3
GE-SFP-SX-SM1310-BIDI	1310TX/1550RX	MMF	No	-10	-5	-17	-3
GE-eSFP-SX-MM850	850	MMF	Yes	-9.5	-3	-17	0
GE-eSFP-LX-SM1310	1310	SMF	Yes	-9.5	-3	-20	-3
GE-SFP-LX-SM1310	1310	SMF	No	-9.5	-3	-20	-3
GE-SFP-LX20-SM1310-BIDI	1310TX/1550RX	SMF	Yes	-9	-3	-20	-3
GE-SFP-LX20-SM1550-BIDI	1550TX/1310RX	SMF	Yes	-9	-3	-20	-3
GE-SFP-LH40-SM1310-BIDI	1310TX/1550RX	SMF	Yes	-5	0	-24	-1
GE-SFP-LH40-SM1550-BIDI	1550TX/1310RX	SMF	Yes	-5	0	-24	-1
MINI-GBIC-LH40-SM1310	1310	SMF	Yes	-2	3	-22	-3
MINI-GBIC-ZX50-SM1550	1550	SMF	Yes	-5	0	-22	-3
MINI-GBIC-ZX80-SM1550	1550	SMF	Yes	0	4.7	-22	-3
MINI-GBIC-ZX100-SM1550	1550	SMF	Yes	0	5	-30	-9


Table B-2 1000Base-T SFP Model


Standard	Model	Support DDM (Yes/No)
1000Base-T	Mini-GBIC-GT	No


Table B-3 SFP Cabling Specifications

Model	Interface Type	Fiber Type	Core Size (μm)	Cabling Distance
MINI-GBIC-SX-MM850	LC	MMF	62.5/125	275 m
			50/125	550 m
MINI-GBIC-LX-SM1310	LC	SMF	9/125	10 km
GE-eSFP-SX-MM850	LC	MMF	62.5/125	275 m
			50/125	550 m
GE-eSFP-LX-SM1310	LC	SMF	9/125	10 km

GE-SFP-LX-SM1310	LC	SMF	9/125	10 km
MINI-GBIC-LH40-SM1310	LC	SMF	9/125	40 km
GE-SFP-SX-SM1310-BIDI	LC	MMF	50/125	500m
GE-SFP-SX-SM1550-BIDI	LC	MMF	50/125	500m
GE-SFP-LX20-SM1310-BIDI	LC	SMF	9/125	20 km
GE-SFP-LX20-SM1550-BIDI	LC	SMF	9/125	20 km
GE-SFP-LH40-SM1310-BIDI	LC	SMF	9/125	40 km
GE-SFP-LH40-SM1550-BIDI	LC	SMF	9/125	40 km
MINI-GBIC-ZX50-SM1550	LC	SMF	9/125	50 km
MINI-GBIC-ZX80-SM1550	LC	SMF	9/125	80 km
MINI-GBIC-ZX100-SM1550	LC	SMF	9/125	100 km
SDH155-SFP-SX-MM850	LC	MMF	62.5/125	500m
SDH155-SFP-SX-MM1310	LC	MMF	62.5/125	2km
SDH155-SFP-LH15-SM1310	LC	SMF	9/125	15km
SDH155-SFP-LH40-SM1310	LC	SMF	9/125	40km
SDH155-SFP-LH80-SM1310	LC	SMF	9/125	80km
GE-SFP-SX	LC	MMF	62.5/125	275 m
			50/125	550 m
GE-SFP-LX	LC	SMF	9/125	10 km
Mini-GBIC-GT	RJ45 cable	Standard Cat-5 and above unshielded or shielded twist pairs		100m

 For the optical module with transmission distance exceeding 40 km and more, one on-line optical attenuator should be added on the link to avoid the overload of the optical receiver when short single-mode optical fibers are used.


 The optical module is a laser device. Please take care of your eyes and do not look into the laser beam directly.

 To keep the optical module clean, please use dust caps when the modules are not connected with fibers..

SFP BIDI Module Pairs

Table B-4 SFP BIDI Module Pair

Bandwidth/Distance	Pairs
GE/500 m	GE-SFP-SX-SM1310-BIDI GE-SFP-SX-SM1550-BIDI
GE/20 km	GE-SFP-LX20-SM1310-BIDI GE-SFP-LX20-SM1550-BIDI
GE/40 km	GE-SFP-LH40-SM1310-BIDI GE-SFP-LH40-SM1550-BIDI

 SFP BIDI modules should be used in pairs. For example, if a GE-SFP-LX20-SM1310-BIDI module is used on one end, apply GE-SFP-LX20-SM1550-BIDI on the other end.

10G SFP+ Models and Specifications

Table B-5 10G SFP+ Models

Model	Wavelength (nm)	DDM (Yes/No)	Fiber Type	Transmit (dBm)		Receive (dBm)	
				Min	Max	Min	Max
XG-SFP-SR-MM850	850	Yes	MMF	-5	-1	-7.5	0.5
XG-SFP-SR-SM1270-BIDI	1270	No	MMF	-3	4	-9	0.5
XG-SFP-SR-SM1330-BIDI	1270	No	MMF	-3	4	-9	0.5
XG-SFP-LR-SM1270-BIDI	1270	No	SMF	-6.5	0.5	-14.4	0.5
XG-SFP-LR-SM1330-BIDI	1330	No	SMF	-6.5	0.5	-14.4	0.5
XG-SFP-LR-SM1310	1310	Yes	SMF	-8.2	0.5	-10.3	0.5
XG-SFP-ER-SM1550	1550	Yes	SMF	-4.7	4	-11.3	-1
XG-SFP-ZR-SM1550	1550	Yes	SMF	0	4	-24	-7
XS-SFP-SR	850	Yes	MMF	-5	-1	-7.5	0.5
XS-SFP-LR	1310	Yes	SMF	-8.2	0.5	-10.3	0.5

Table B-6 10G SFP+ Cabling Specifications

Model	Interface Type	Fiber Type	Core Size (μm)	Modal Bandwidth (MHz*km)	Max Cabling Distance
XG-SFP-SR-MM850	LC	MMF	62.5 /125	200 (OM1) 160	33 m 26 m
			50/125	2000 (OM3) 500 (OM2) 400 (OM1)	300 m 82 m 66 m
XG-SFP-SR-SM1270-BIDI	LC	MMF	50/125	2000 (OM3)	300m
XG-SFP-SR-SM1330-BIDI	LC	MMF	50/125	2000 (OM3)	300m
XG-SFP-LR-SM1270-BIDI	LC	SMF	9/125	N/A	10km
XG-SFP-LR-SM1330-BIDI	LC	SMF	9/125	N/A	10km
XG-SFP-LR-SM1310	LC	SMF	9/125	N/A	10 km
XG-SFP-ER-SM1550	LC	SMF	9/125	N/A	40 km
XG-SFP-ZR-SM1550	LC	SMF	9/125	N/A	80 km
XS-SFP-SR	LC	MMF	62.5 /125	200 (OM1) 160	33 m 26m
			50/125	2000 (OM3) 500 (OM2) 400 (OM1)	300 m 82 m 66 m
XS-SFP-LR	LC	SMF	9/125	N/A	10 km




-  For XG-SFP-ER-SM1550 and XG-SFP-ZR-SM1550, do not use short-distant fibers in case of transceiver overload. If the light power received equals or exceeds -1dBm, add the optical attenuators to adjust the power as less than -1dBm.
-  The optical module is a laser device. Please take care of your eyes and do not look into the laser beam directly.
-  To keep the optical module clean, please make sure that the dust cap is mounted when it is not connected to cables

Table B-7 10G SPF+ Cable Models


Model	Model Type	Connector Type	Copper Length (m)	AWG	Data Rate (Gb/s)	DDM (Yes/No)
XG-SFP-AOC1M	Active	SFP+	1	\	10.3125	No
XG-SFP-AOC3M	Active	SFP+	3	\	10.3125	No
XG-SFP-AOC5M	Active	SFP+	5	\	10.3125	No

 SPF+ copper cables can be inserted to ports directly without the help of other cables.

10G SFP BIDI Module Pairs

Table B-8 10G SFP BIDI Module Pair

Bandwidth/Distance	Pairs
10GE/300m	XG-SFP-SR-SM1270-BIDI XG-SFP-SR-SM1330-BIDI
10GE/10km	XG-SFP-LR-SM1270-BIDI XG-SFP-LR-SM1330-BIDI

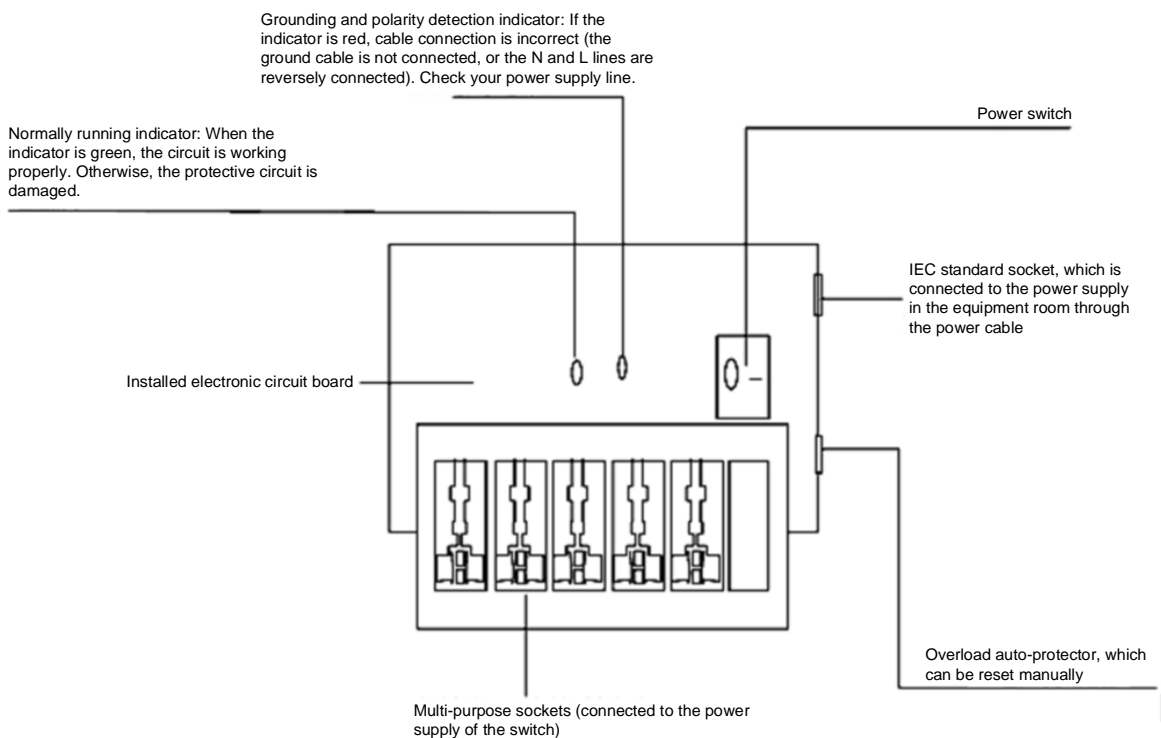
 SFP BIDI modules should be used in pairs. For example, if a XG-SFP-SR-SM1270-BIDI module is used on one end, apply XG-SFP-SR-SM1330-BIDI on the other end.

Appendix C Lightning Protection

Installing AC Power Arrester (Lightning Protection Power Strip)

The AC power port must be connected to an external lightning protection power strip to prevent the switch from being struck by lightning when the AC power cord is introduced from the outdoor and directly connected to the power port of the switch. The lightning protection power strip can be fixed on the cabinet, workbench, or wall in the equipment room by using cable ties and screws. AC power enters the lightning protection power strip and then gets to the switch.

Figure C-1 Power Arrester



! The power arrester is not delivered with the switch. Please purchase it based on actual requirements.

Precautions:

- Make sure that the PE terminal of the power arrester is well grounded.
- After the AC power plug of the switch is connected to the socket of the power arrester (lightning protection power strip), the lightning protection function is implemented only if the RUN indicator is green and the ALARM indicator is OFF.
- If the ALARM indicator on the power arrester is red, check whether it is caused by poor grounding connection or by the reversed connection of the Null and Live lines. The detection method is as follows: Use a multimeter to measure the polarity of the power socket for the arrester when the indicator is red. If the N line is on the left and the L line is on the right (facing the socket), the arrester's PE terminal is not grounded. If not, the polarity of the arrester power cord should be reversed. In this case, you should open the power arrester and rectify the polarity of the connection. If the indicator is still red, the arrester's PE terminal has not been grounded.

Installing the Ethernet Port Arrester

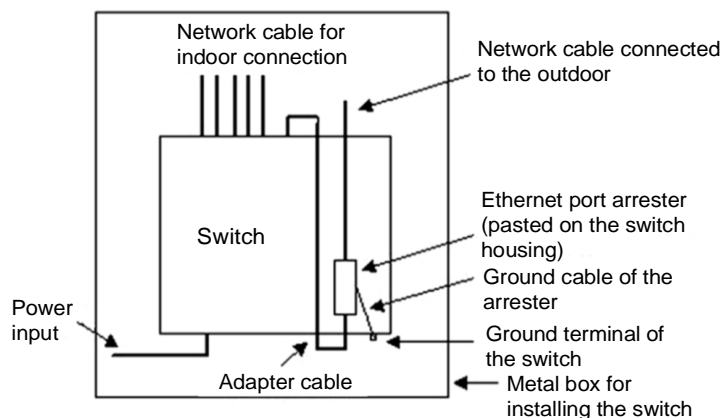
Please connect an Ethernet port arrester to the switch to prevent the damage by lightning before connecting an outdoor network cable to the switch.

Tools: Phillips screwdrivers or flat-head screwdriver, multimeter, and diagonal pliers

Installation Steps:

- Tear one side of the protective paper for the double-sided adhesive tape and paste the tape to the housing of the Ethernet port arrester. Tear the other side of the protective paper for the double-sided adhesive tape and paste the Ethernet port arrester to the switch housing. The paste position for the Ethernet port arrester should be as close to the ground terminal of the switch as possible.
- Based on the distance between the switch ground terminal and the Ethernet port arrester, cut the ground cable for the Ethernet port arrester and firmly tighten the ground cable to the ground terminal of the switch.
- Use a multimeter to check whether the ground cable for the arrester is in good contact with the ground terminal and the housing of the switch.
- Connect the arrester by using an adapter cable (note that the external network cable is connected to the IN end, while the adapter cable connected to the switch is connected to the OUT end) and check whether the service module indicator is normal.
- Use a nylon cable tie to bundle the power cords.

Figure C-2 Ethernet port Arrester Installation



⚠ The Ethernet port arrester is only for the 10 M/100 M copper Ethernet ports with an RJ-45 connector;

⚠ . The Ethernet port arrester is not delivered with the switch. Please purchase it based on actual requirements.

Pay attention to the following conditions during the actual installation to avoid affecting the performance of the Ethernet port arrester:

- Reversed installation direction of the arrester. Connect the external network cable to the "IN" end and connect the Ethernet port of the switch to the "OUT" end.
- Poor grounding of the arrester. The ground cable of the arrester should be as short as possible to ensure that it is in good contact with the ground terminal of the switch. Use a multimeter to confirm the contact condition after the grounding.
- Incomplete arrester installation. If there is more than one port connected to the peer device on the switch, arresters need to be installed on all connection ports for the purpose of lightning protection.

Appendix D Cabling

When the RG-CS85 switch is installed in a standard 19-inch cabinet, secure the cables around the cable management brackets. Top cabling or bottom cabling is adopted according to the actual situation in the equipment room. All transferred cable connectors should be placed at the bottom of the cabinet in an orderly manner instead of outside the cabinet that is easy to touch. Power cables are routed beside the cabinet, and top cabling or bottom cabling is adopted according to the actual situation in the equipment room, such as the positions of the DC power distribution box, AC socket, or lightning protection box.

Requirement for the Minimum Cable Bend Radius

- The bend radius of a fixed power cord, network cable, or flat cable should be over five times greater than their respective diameters. The bend radius of these cables that are often bent or plugged should be over seven times greater than their respective diameters.
- The bend radius of a fixed common coaxial cable should be over seven times greater than its diameter. The bend radius of the common coaxial cable that is often bent or plugged should be over 10 times greater than its diameter.
- The bend radius of a fixed high-speed cable (such as SFP+ cable) should be over five times greater than its diameter. The bend radius of the fixed high-speed cable that is often bent or plugged should be over 10 times greater than its diameter.

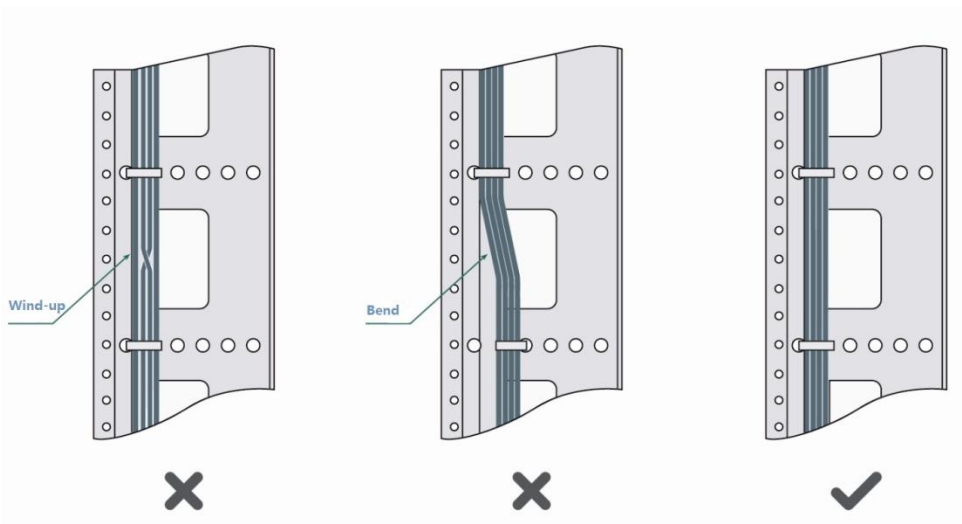
Requirement for the Minimum Fiber Bend Radius

- The diameter of a fiber tray to hold fibers should be over 25 times greater than the diameter of the fiber.
- When an optical fiber is moved, the bend radius of the fiber should be over 20 times greater than the diameter of the fiber.
- During cabling of an optical fiber, the bend radius of the fiber should be over 10 times greater than the diameter of the fiber.

Precautions for Cable Bundling up Cables

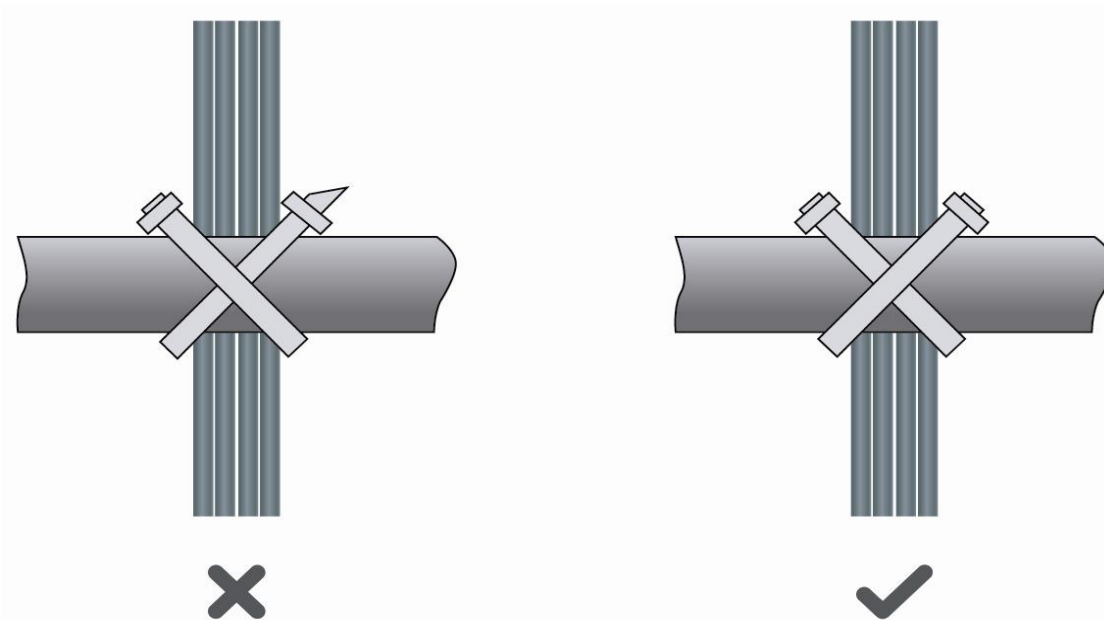
- Before bundling cables, correctly mark labels and stick the labels to cables where appropriate.
- Cables should be neatly and properly bundled in the cabinet without twisting or bending, as shown in Figure D-1.

Figure D-1 Bundling Cables (1)



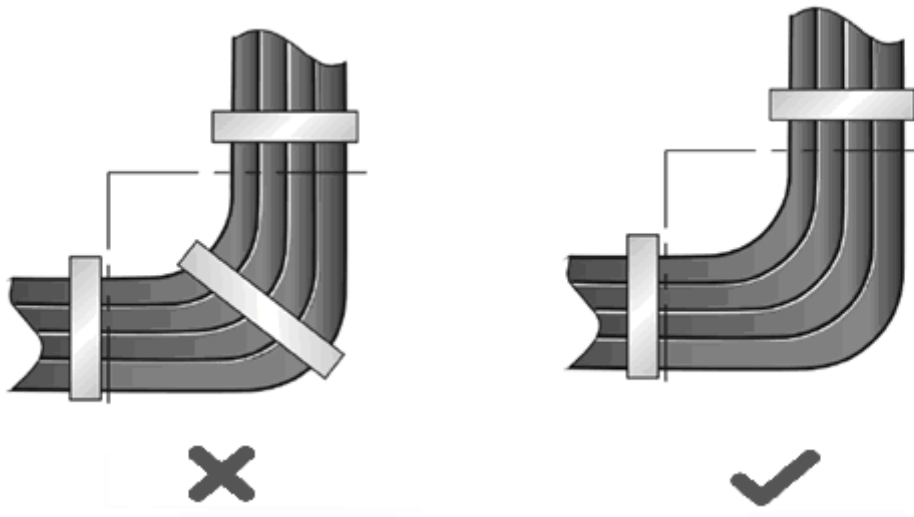
- Cables of different types (such as power cords, signal cables, and ground cables) should be separated in cabling and bundling. Mixed bundling is disallowed. When they are close to each other, it is recommended to adopt crossover cabling. In the case of parallel cabling, maintain a minimum distance of 30 mm (1.18 in.) between power cords and signal cables.
- The cable management brackets and cabling troughs inside and outside the cabinet should be smooth without sharp corners.
- The metal hole traversed by cables should have a smooth and fully rounding surface or an insulated lining.
- Use cable ties to bundle up cables properly. Please do not connect two or more cable ties to bundle up cables.
- After bundling up cables with cable ties, cut off the remaining part. The cut should be smooth and trim, without sharp corners, as shown in Figure D-2.

Figure D-2 Binding Cables (2)



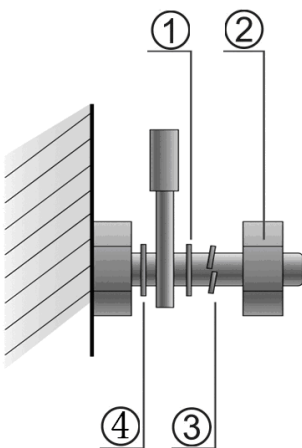
- When cables need to be bent, please bundle them up but do not tie them where the cables will be bent. Otherwise, considerable stress may be generated in cables, breaking cable cores, as shown in Figure D-3

Figure D-3 Binding Cables (3)



- Cables not to be assembled or remaining parts of cables should be folded and placed in a proper position of the cabinet or cable trough. The proper position refers to a position that does not affect device running or damage the switch or cable.
- 220 V and -48 V power cords must not be bundled on the guide rails of moving parts.
- The power cords connecting moving parts such as door grounding wires should be reserved with some access after being assembled to avoid suffering tension or stress. After the moving part is installed, the remaining cable part should not touch heat sources, sharp corners, or sharp edges. If heat sources cannot be avoided, high-temperature cables should be used.
- When screw threads are used to fasten cable terminals, the bolt or screw must be tightly fastened, and anti-loosening measures should be taken, as shown in Figure D-4.

Figure D-4 Cable Fastening



Note	Flat washer	Spring washer
	Nut	Flat washer

- Hard power cords should be fastened in the terminal connection area to prevent stress on terminal connection and cable.
- Do not use self-tapping screws to fasten terminals.

- Power cables of the same type and in the same cabling direction should be bundled up into cable bunches, with cables in cable bunches clean and straight.
- Bundle up cables by using cable ties based on the following table.

Cable Bunch Diameter	Distance between Every Binding Spot
10 mm (0.39 in.)	80 mm to 150 mm (3.15 in. to 5.91 in.)
10 mm to 30 mm (0.39 in. to 1.18 in.)	150 mm to 200 mm (5.91 in. to 7.87 in.)
30 mm (1.18 in.)	200 mm to 300 mm (7.87 in. to 11.81 in.)

- No knot is allowed in cabling or bundling.
- For wiring terminal blocks (such as circuit breakers) with cord end terminals, the metal part of the cord end terminal should not be exposed outside the terminal block when assembled.

Appendix E Site Selection

- The equipment room should be at least 5 km away from heavy pollution sources, such as the smelter works, coal mine, and thermal power plant. The equipment room should be at least 3.7 km away from medium pollution sources, such as the chemical factory, rubber factory, and electroplating factory. The equipment room should be at least 2 km away from light pollution sources, such as the food factory and leather plant. If these pollution sources are unavoidable, the equipment room should be located on the windward side of the pollution sources perennially with advanced protection.
- The equipment room should be at least 3.7 km away from the sea or salt lake. Otherwise, the equipment room must be sealed, with air conditioner installed for temperature control. Saline soil cannot be used for construction. Otherwise, you should select devices with advanced protection against severe environments.
- Do not build the equipment room in the proximity of livestock farms. Otherwise, the equipment room should be located on the windward side of the pollution source perennially. The previous livestock house or fertilizer warehouse cannot be used as the equipment room.
- The equipment room should be firm enough to withstand severe weather conditions such as windstorm and heavy rain. The equipment room should be away from the dusty road or quarry. If the dust is unavoidable, keep the door and window away from the pollution source.
- The equipment room should be away from the residential area. Otherwise, the equipment room should meet the construction standard in terms of noise.
- Make sure that the air vents of the equipment room are away from the sewage pipe, septic tank, and sewage treatment tank. Keep the equipment room under positive pressure to prevent corrosive gas from entering the equipment room to corrode components and PCBs.
- Keep the equipment room away from industrial boilers and heating boilers.
- The equipment room had better be on the second floor or above. Otherwise, the equipment room floor should be 600 mm higher than the highest flood level ever recorded.
- Make sure there are no cracks or holes on the wall and floor. If there are cable entries on the wall or window, take proper sealing measures. Ensure that the wall is flat, wear-resistant, and dust-free, which should be up to the standard for flame retarding, soundproofing, heat absorption, dust reduction, and electromagnetic shielding.
- Keep the door and the window closed to make the equipment room sealed.
- The steel door is recommended for soundproofing.
- Sulfur-containing materials are forbidden.
- Keep the air conditioner from blowing wind straight toward the switch.